



Viomi Robot Vacuum S9–Automatic Dirt Disposal User Manual

Please read this manual carefully before use and keep it properly.
This product shall be operated only in location at altitude below 2,000 meters.
Please read this manual carefully to ensure proper and safe use of the product.



Considerations

Operation Restrictions

- This product shall be used only for cleaning of ground surface in residential house, but not for outdoors, other surface (e.g. couch) or commercial or industrial environment.
- Do not use this product in environment without guardrail, such as duplex, open balcony, and top of furniture.
- Do not use this product in temperature higher than 40°C or lower than 0°C or on ground surface with any liquid or viscous matter.
- Before operating this product, handle any wire/cable on ground surface to avoid it being wound by main machine.
- Remove any fragile article and sundries on ground surface, such as vase or plastic bag, to avoid it from being impacted and damaged by main machine.
- Do not allow any person with physical, mental or sensual disorder (including children) to use or operate this product.
- Do not allow children to play the main machine. Keep children or pet staying away from the main machine during operation.
- Do not place any object or sit on the main machine which is stationary or in movement.
- Do not use this product to clean any object which is burning (e.g. burning cigarette end).
- Do not use this product for cleaning of carpet.
- Do not use this product to suck up any hard or sharp object, such as scrap, glass, and iron nail.
- Do not handle this product by the protective cover of laser radar as handle.

Be sure to clean main machine and charging dock only when this product is power-off or the power supply is disconnected.

- Do not splash any liquid into this product, except the automatic dirt disposal, which can be cleaned.
 - Do not put main machine upside down, and do not place laser radar on the ground.
 - Do not use the vacuum-mop to clean the carpet.
 - Use this product by following the instructions or quick start guide.
- User shall be responsible for any loss or injury resulting from improper use.





Battery and Charging

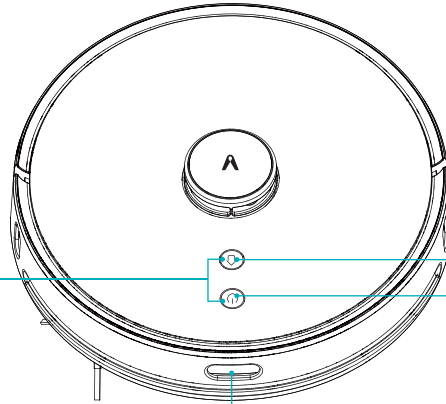
- Do not use any third-party battery, power adapter and charging dock.
- Do not use any non-rechargeable battery.
- Do not dismantle, repair, refit the battery or charging dock.
- Do not place charging dock close to any heat source, for example, heating radiator, nor use wet cloth or liquid to clean any part of this product.
- Do not throw any waste battery randomly. It is recommended to have any specialist agency dispose it.
- To transport this product, be sure to power it off and use the original packaging box to provide protection for it.
- If this product is to be idle for a long time, charge the battery to full level and store it at dry and cool location. Recharge it at least monthly to avoid damage to battery.
- Use a proper tool to remove the battery. First remove the screw on the bottom cover, and then remove the cover, unplug the battery connecting terminal and take the battery out. Before disposing the robot, you have to take the battery out of it. When removing the battery, the robot must be powered off.

This product is in compliance with Class-1 laser safety standard under IEC60825-1:2014, and will not generate laser radiation hazardous to human.

Product Introduction

Network Configuration

- When the robot is power-on, simultaneously press down and hold  and  keys for 5 seconds till a voice prompt is given, and then release them to activate network configuration.
- When the robot is power-on, simultaneously press down and hold  and  keys for 10 seconds till a voice prompt is given, and keep holding the keys for 10 seconds to finish recovery to factory settings.



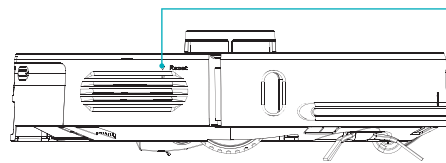
Smart recharging

- Short press the button to start smart recharging.
The LED indicator keeps flash slowly in yellow color, indicating recharging/ low battery level.
Flicker in yellow color, indicating recharging.

Power on/off Global sweeping

- Short press the button to start/cease sweeping.
- Long press the button for 3 seconds to power on/off.
- The light is constantly on in blue color, indicating successful connection/normal operation/standby state.
Flicker in blue color, indicating power-on.
Flash slowly in blue color, indicating firmware upgrade/recovery to factory setting.
Flash fast in blue color, indicating network configuration.
Flicker in red color, indicating low battery level.
Flash fast in red color, indicating fault in operation.
The LED indicator goes out, indicating power-off/sleep.

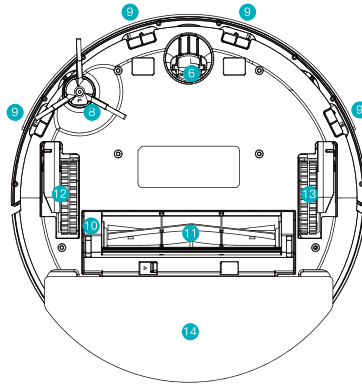
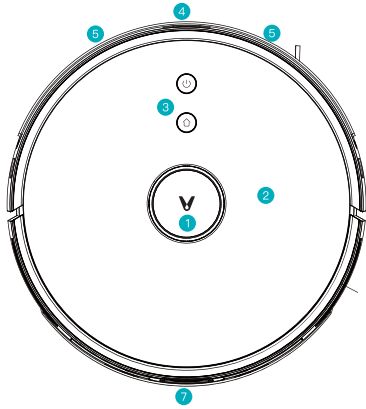
IR sensor



Reset button: for forcible shutdown.

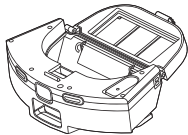
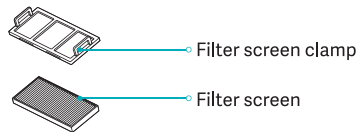
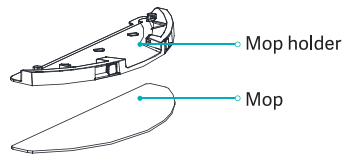
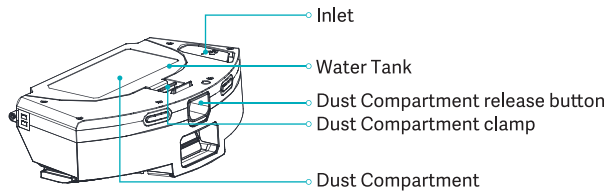
- Short press (for less than 3 seconds) to switch off.

Main machine and sensor

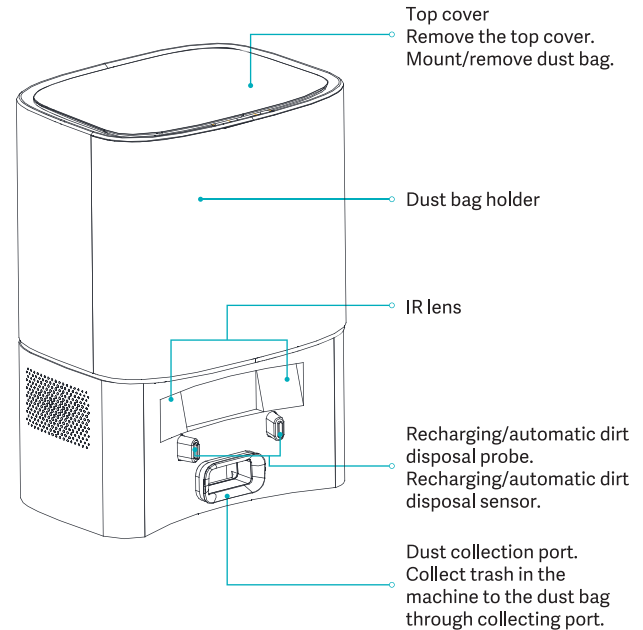


- | | |
|----------------------|---|
| ① Laser radar | ⑧ Side brush |
| ② Surface cover | ⑨ Cliff sensor |
| ③ Button | ⑩ Main brush cover |
| ④ IR sensor | ⑪ Rolling brush |
| ⑤ Collision sensor | ⑫ Left caster |
| ⑥ Universal caster | ⑬ Right caster |
| ⑦ Charging electrode | ⑭ Integrated automatic dirt disposal/water tank |

2-in-1 Dust Compartment with Water Tank



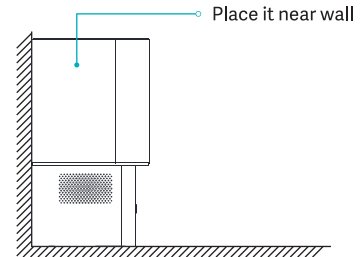
Automatic dirt disposal (Two-in-one for dust collection and charging)



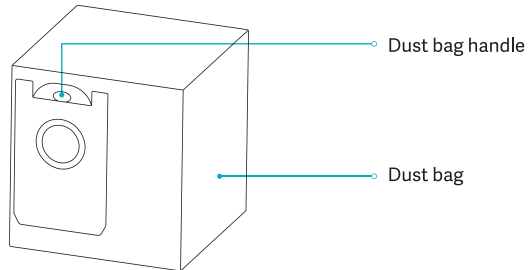
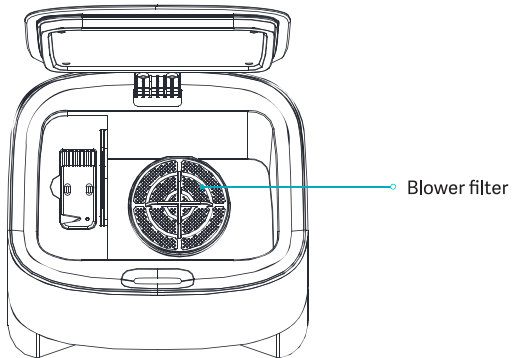
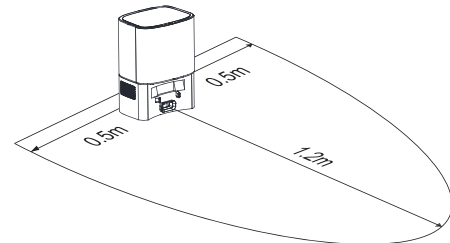
Instructions on Installation

1. Install the automatic dirt disposal

(1) Place automatic dirt disposal on flat floor near wall, and connect the plug to a approved socket and switch power supply on.



(2) Make sure there is no obstacle within 1.2 m in front and 0.5 m at both sides of it.



Dust bag (include a automatic dirt disposal).
Note: Bust bag is consumable and shall not be re-used.
Replace it regularly.

Operation Instructions

1.Switch on/off

Long press power button (⏻) for 3 seconds to switch machine on/off. Power LED indicator flashes slowly for 4 seconds and then lights on constantly in blue color, and the cleaner in standby. Upon start-up there is a tone for prompt.

When cleaner stays still, long press the power button (⏻) for 3 seconds to switch it off.

The power LED goes out, and a voice prompt is given.

Cleaner will sleep if being idle for more than 20 minutes. In sleep status, shorting press any button will wake it up.

Tips: During recharging, the robot cannot be switched off or sleep.

2.Sweeping

In power-on status, short press the (⏻) button with voice prompt "start global cleaning".

During cleaning, short press the (⏻) button to cease sweeping.

Tips: At low battery level, sweeping function cannot be started.

3.Automatic/manual recharging

Upon end of sweeping, a voice prompt "cleaning finished and recharging started" is given, and the vacuum-mop starts recharging.

In case of low battery level during sweeping, the vacuum-mop will start recharging automatically.

4.Refilling tank or cleaning mop half-way

Short press (⏻) button to pause the vacuum-mop; remove mopping module, refill the tank or clean the mop; re-mount the mopping module and short press the button again to resume sweeping.

5.Network configuration and firmware update

Download App by scanning the QR code on the machine and reset WiFi by following the tips on APP.

You can query or update the firmware on App. During update make sure the machine is being charged with battery level not below 60%. For more details refer to instruction in the App.

After downloading, configure network by following tips on APP. After connecting the machine to network, you can start sweeping or scheduled cleaning remotely on App.

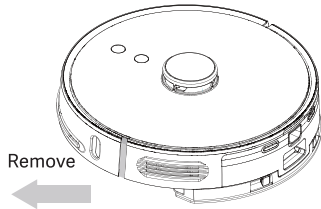
6.Fault

In case of fault in the vacuum-mop, audible and visual alarms will be given with power LED indicator flashing in red. For more details refer to Trouble Shooting.

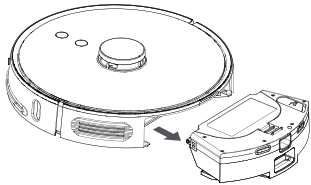
The vacuum-mop will sleep automatically when being idle for 10 minutes in case of fault.

Operation Instructions

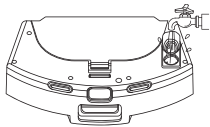
(1) Place the vacuum-mop on flat floor indoors.
Remove the limit protector at both sides of bumper.



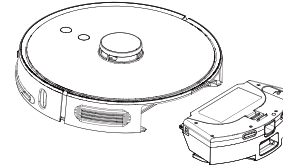
(2) Press the Dust Compartment release button to remove the 2-in-1 Dust Compartment with Water Tank.
For the initial use, there may be a very little water in the tank, which is residual test sample and at normal condition, and you can use it at ease.





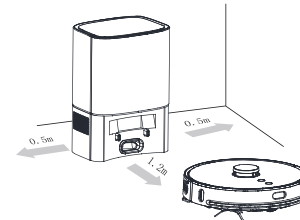
(3) Soak the mop with water and attach it to magic tape band and tighten it.
Inject water through the inlet, and tighten the cover.



(4) Mount the 2-in-1 Dust Compartment with Water Tank into the machine.



(5) Long press button  for 3 seconds to switch the vacuum-mop on, and then short press button  to recharge it. The vacuum-mop will be ready for operation when recharged fully.



Note:

- 1.The robot will return to automatic dirt disposal base after operating for more than 1 Minute, and start clear-up process automatically. During dust collection a arrow flashes in green color on the screen.
- 2.The robot cannot be switched on in case of low battery level. In such case, first recharge it.
- 3.In case of low batter level during sweeping, the robot will go to charging dock for recharging automatically, and then return to the interruption point to resume sweeping.

How to connect to Wi-Fi

This product works with Mi Home/Xiaomi Home app *. Control your device, and interact it and other smart home devices with Mi Home/Xiaomi Home app.



Scan the QR code to download and install the app. You will be directed to the connection setup page if the app is installed already. Or search "Mi Home/Xiaomi Home" in the app Store to download and install it.



Open Mi Home/Xiaomi Home app, tap "+" on the upper right, and then follow prompts to add your device.

* The app is referred to as Xiaomi Home app in Europe (except for Russia). The name of the app displayed on your device should be taken as the default.

Note:

The version of the app might have been updated, please follow the instructions based on the current app version.

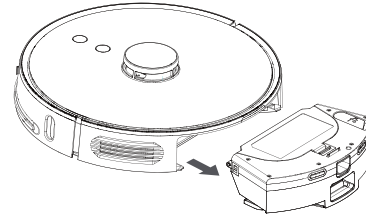
Resetting Wi-Fi

When your router is replaced or Wi-Fi password is changed, you have to reset Wi-Fi settings by holding both  and  keys for 5 seconds till the Wi-Fi indicator light flashes in blue color and a voice prompt is given, indicating that the Wi-Fi settings are reset successfully.

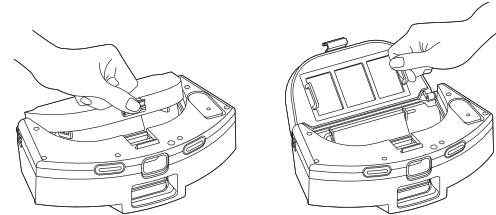
Maintenance

2-in-1 Dust Compartment with Water Tank

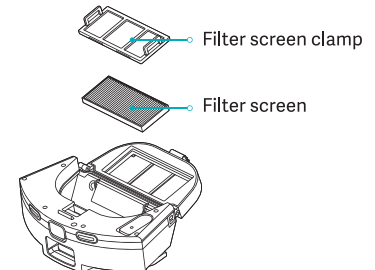
(1) Press Dust Compartment release button and pull the tank out to remove it.



(2) Release the Dust Compartment clamp to remove filter screen clamp.



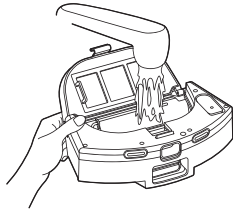
(3) Remove the Filter screen.



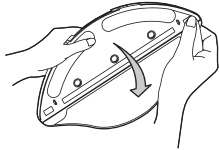
(4) Clean the filter screen and clamp with cleaning brush.



(5) Fill the automatic dirt disposal with water, shake it and then empty it. Repeat this process till it is clean.



(6) Turn the tank over and remove mop for cleaning or replace it.



Tips:

Clean the mop regularly, since contaminated mop will impair sweeping performance.

Be sure to remove the mop and clean, and then dry it by twisting. Do not clean it with it mounted to tank, or otherwise waste water may block the filter element.

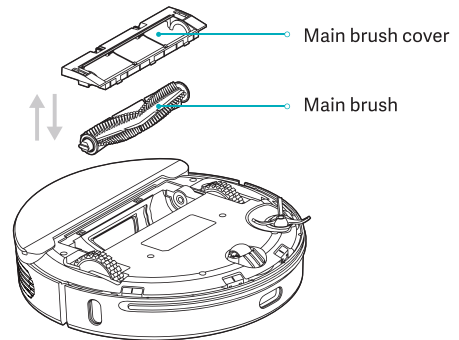
It is recommended to replace main brush every 6-12 months to ensure proper cleaning performance.

Cleaning main brush

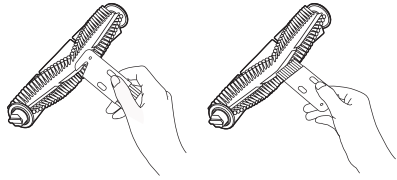
The main brush is consumable and shall be cleaned weekly. It is recommended to replace main brush every 6-12 months to ensure proper cleaning performance.

(1) Turn cleaner over, remove main brush cover and the brush by pressing the clamp on the cover.

Note: Avoid collision when turning it over to avoid damage to laser radar.



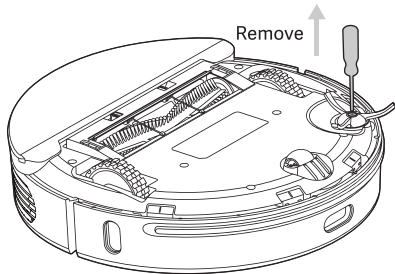
(2) Cut off hairs around the brush with knife, and clean the main brush with the other end of the knife.



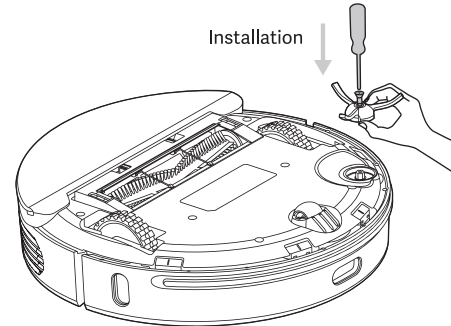
(3) Mount the main brush and main brush cover and lock the clamp.

Clean/replace side brush

(1) Remove screws fixing side brush with screwdriver, and remove the side brush.



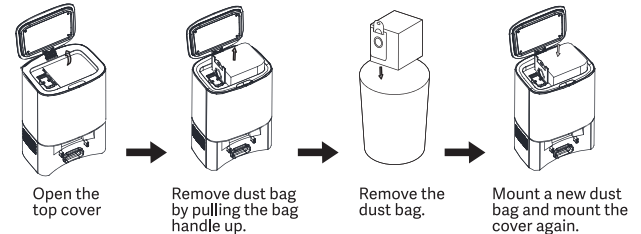
(2) Mount side brush after cleaning, or replace the side brush.



Tips: It is recommended to replace side brush every 3-6 months to ensure proper cleaning performance.

Replace dust bag

In case that the FULL DUST BAG icon flashes in orange color on the screen or a message is given on the App when the dust bag is full, please replace the bag immediately. When the dust bag is in normal operation, the icon keeps flashing in green and white colors.



Clean dust duct

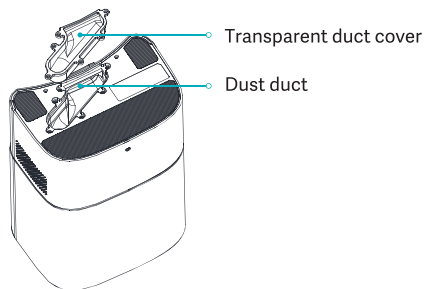
In case that the FULL DUST BAG icon is still in orange color even after the bag is replaced, it is recommended to disconnect power plug, turn the charging pile upside down to check whether dust duct is blocked by any foreign matter.

If dust duct is blocked, remove the duct cover with screwdriver, as shown below.

Remove any foreign matter.

Note: Do not dismantle it with excessive force.

After finishing clear-up, mount it again in place.



Maintenance of battery

The vacuum-mop contains a built-in high-performance rechargeable lithium-ion battery. To maintain adequate battery performance, keep it recharged regularly.

If the vacuum-mop is left idle for a long period, switch it off and recharge it once every three months to avoid damage due to over-discharging.

Clean sensor

It is recommended to weekly clean each sensor with clean and soft cloth to ensure proper cleaning performance.

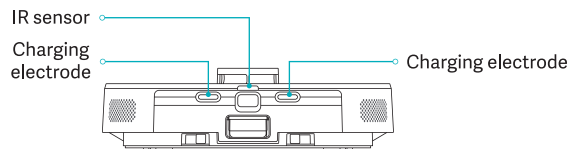
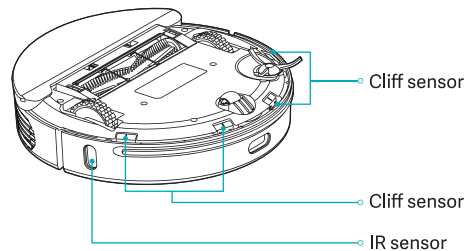
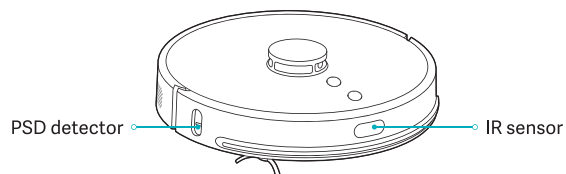
Robot vacuum:

Cliff sensor × 4

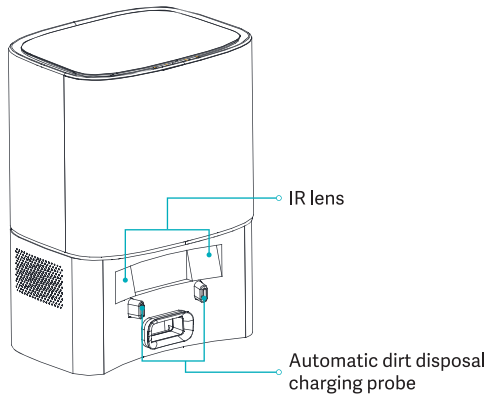
IR sensor × 3

Charging electrode × 2

PSD detector × 1



Automatic dirt disposal charging dock:
 IR lens × 2
 Automatic dirt disposal charging probe × 2



Specifications

Main machine

Name	Viomi Robot Vacuum S9-Automatic Dirt Disposa
Model number	V-RVCLMD28A / V-RVCLMD28B
Dimensions	φ 350mm×98mm
Rated voltage	14.4V ---
Rate power	50W
Battery capacity	5200mAh
Wireless Connectivity	Wi-Fi IEEE 802.11b/g/n 2.4GHz

Automatic dirt disposal

Model number	V-ADD26A / V-ADD26B
Rated power	950W
Rated input	220-240V~50/60Hz
Rated output	24V --- 1.5A
Rated frequency	50/60Hz
Dimensions	356×250×193mm

This product is in compliance with Class-1 laser safety standard under IEC60825-1:2014, and will not generate laser radiation hazardous to human.

Trouble Shooting

Fault Prompt	Solution
Error #1. Make sure the laser ranging sensor is not blocked.	Check for or remove any foreign matter around laser radar, or relocate the Vacuum-Mop and restart it.
Error #2. Clean cliff sensor and relocate the cleaner.	Clean the cliff sensor and try again (for more details refer to the user manual).
Error #3. A strong magnetic field is detected. Relocate the cleaner and try again.	Relocate the Vacuum-Mop and try again.
Error #4. Check collision sensor and remove any foreign object on it.	Try to press the bumper strip and remove any foreign matter, and then restart the Vacuum-Mop.
Error #5. The Vacuum-Mop is at abnormal temperature. Stop operating till normal temperature is recovered.	The Vacuum-Mop is in too high or low temperature. Stop operating till normal temperature is recovered.
Error #6. Charging fails. Please clean charging contact.	Check the adapter, or check whether the automatic dirt disposal is at horizontal position. Switch off the Vacuum-Mop and the automatic dirt disposal, clean their metal contacts.

The automatic dirt disposal fault prompt	Solution
Error #1. Dust bag is not mounted. The text "Full bag" is given and the icon flash.	Mount dust bag in place.
Error #2. Blower fails, The text is given and the icon flash.	Check whether air duct is blocked, and contact after-sales service for troubleshooting.

FAQ

Problem	Solution
Cleaner fails to start up.	Low battery level. Keep the machine close to charging dock and try again. Too low (below 0°C) or high (above 50°C) ambient temperature.
Sweeping function fails.	Low battery level. Keep the machine close to charging dock and try again.
Charging function fails.	Too many barriers around charging dock. Place charging dock in an unblocked area. Main machine is too far from charging dock. Place main machine near charging dock and try again.
The machine operates improperly.	Power it off and then power it on again.
Cleaning operation is noisy.	Main brush, side brush or left/right caster is damaged by foreign object. Power off the machine and remove the foreign object.
Cleaning performance deteriorates or dust drops.	The automatic dirt disposal is full of dust. Please empty the collector. Filter component is blocked. Please clean it. Main brush is damaged by any foreign object. Please clean the main brush.
Wi-Fi connection is unavailable.	Weak Wi-Fi signals. Make sure the robot is in proper coverage of Wi-Fi signals. Wi-Fi connection fails. Reset Wi-Fi connection and download the latest App and try again.
Breakpoint resume.	Make sure non-disturbance mode is not activated, which will disable proceeding at breakout point. Proceeding at breakout point is unavailable when the machine is being charged.

Problem	Solution
The Vacuum-Mop fails to return to charging dock after fixed point cleaning or displacement.	As the Vacuum-Mop will re-generate a map after fixed-point cleaning or being displaced by a long distance, it may fail to locate charging dock for charging. In such case, place the machine onto charging dock manually.
Charging fails.	Make sure there is sufficient spaces around charging dock, and there is no dust or blockage on the surface of electrode of charging dock.
Scheduled cleaning fails.	Make sure the machine has been connected to the network, as disconnection from network will fail sync and scheduled cleaning task.
The Vacuum-Mop is always offline.	Make sure the machine is connected to network successfully, and always within coverage of Wi-Fi.
The Vacuum-Mop fails to be paired with cell phone.	Make sure both charging dock and main machine are within coverage of Wi-Fi and good signals, and then reset Wi-Fi connection for pairing by following the instructions in the manual.

Précautions

Restrictions d'opération

- Ce produit doit être utilisé uniquement pour le nettoyage de la surface du sol dans une maison résidentielle, mais pas pour l'extérieur, une autre surface (par exemple un canapé) ou un environnement commercial ou industriel.
 - N'utilisez pas ce produit dans un environnement sans garde-corps, tel qu'un duplex, un balcon ouvert et un dessus de meuble.
 - N'utilisez pas ce produit à une température supérieure à 40 °C ou inférieure à 0 °C ou sur une surface au sol avec un liquide ou une matière visqueuse.
 - Avant d'opérer ce produit, retirez tout fil/câble sur la surface du sol.
 - Retirez tout article fragile et articles divers sur la surface du sol, comme un vase ou un sac en plastique, pour éviter qu'il ne soit touché et endommagé par la machine principale.
 - Ne permettez à aucune personne souffrant de troubles physiques, mentaux ou sensoriels (y compris les enfants) d'utiliser ou d'utiliser ce produit.
 - Ne laissez pas les enfants jouer sur la machine principale. Tenez les enfants ou les animaux à l'écart de la machine principale pendant le fonctionnement.
 - Ne placez aucun objet et ne vous asseyez pas sur la machine principale qui est stationnaire ou en mouvement.
 - N'utilisez pas ce produit pour nettoyer un objet qui brûle (par exemple un bout de cigarette en feu).
 - N'utilisez pas ce produit pour nettoyer les tapis.
 - N'utilisez pas ce produit pour aspirer des objets durs ou pointus, tels que des débris, du verre et des clous en fer.
 - Ne manipulez pas ce produit par le couvercle de protection du radar laser comme poignée.
- Veillez à ne nettoyer la machine principale et le siège de chargement que lorsque ce produit est hors tension ou que l'alimentation électrique est déconnectée.
- Ne peut pas élabousser de liquide dans ce produit, à l'exception de l'élimination de la saleté, qui peut être nettoyée.
 - Ne mettez pas la machine principale à l'envers et ne placez pas de radar laser au sol.

- Ne peut pas utiliser l'aspirateur pour nettoyer le tapis.
- Utilisez ce produit en suivant les instructions ou le guide de démarrage rapide. L'utilisateur sera responsable de toute perte ou blessure résultant d'une mauvaise utilisation.

Batterie et chargement

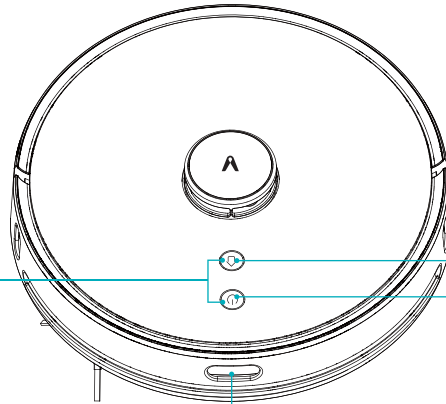
- N'utilisez pas de batterie, d'adaptateur secteur et du siège de charge tiers.
- N'utilisez pas de batterie non rechargeable.
- Ne pas démonter, réparer, remonter la batterie ou le siège de chargement.
- Ne placez pas le siège de charge à proximité d'une source de chaleur, par exemple, un radiateur de chauffage, et n'utilisez pas de chiffon humide ou de liquide pour nettoyer une partie de ce produit.
- Ne jetez aucune batterie usagée au hasard. Il est recommandé de le faire éliminer par une agence spécialisée.
- Pour transporter ce produit, assurez-vous de l'éteindre et d'utiliser la boîte d'emballage d'origine pour le protéger.
- Si ce produit doit rester inactif pendant une longue période, chargez la batterie au maximum et stockez-la dans un endroit sec et frais. Rechargez-le au moins une fois par mois pour éviter d'endommager la batterie.
- Utilisez un outil approprié pour retirer la batterie. Retirez d'abord la vis du couvercle inférieur, puis retirez le couvercle, débranchez la borne de connexion de la batterie et retirez la batterie. Avant de jeter le robot, vous devez en retirer la batterie. Lors du retrait de la batterie, le robot doit être mis hors tension.

Ce produit est conforme à la norme de sécurité laser de classe 1 sous IEC60825-1: 2014 et ne générera pas de rayonnement laser dangereux sur le corps humain.

Présentation du produit

Configuration du réseau

- Lorsque le robot est sous tension, appuyez simultanément sur les touches "⏻" et "🏠" et maintenez-les enfoncées pendant 5 secondes jusqu'à ce qu'une invite vocale soit donnée, puis relâchez-les pour activer la configuration du réseau. Lorsque le robot est sous tension, appuyez simultanément sur les touches "⏻" et "🏠" et maintenez-les enfoncées pendant 10 secondes jusqu'à ce qu'une invite vocale soit donnée, et maintenez les touches enfoncées pendant 10 secondes pour terminer la restauration des paramètres d'usine.



🏠 Recharge intelligente

- Appuyez brièvement sur le bouton pour démarrer la recharge intelligente. L'indicateur LED continue de clignoter lentement en couleur jaune, indiquant la recharge/le niveau de batterie faible. Scintillement de couleur jaune, indiquant la recharge.

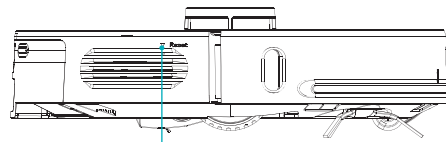
⏻ Allumer/éteindre le balayage global

- Appuyez brièvement sur le bouton pour démarrer/arrêter le balayage.
- Appuyez longuement sur le bouton pendant 3 secondes pour allumer/éteindre.
- Le voyant est constamment allumé en bleu, indiquant une connexion réussie/un fonctionnement normal/un état de veille. Scintillement de couleur bleue, indiquant la mise sous tension. Clignote lentement en bleu, indiquant la mise à niveau/la restauration du micrologiciel aux réglages d'usine. Flash rapide en couleur bleue, indiquant la configuration du réseau. Scintillement de couleur rouge, indiquant un niveau de batterie faible. Clignote rapidement en couleur rouge, indiquant un défaut de fonctionnement. Le voyant LED s'éteint, indiquant la mise hors tension/la mise en veille.

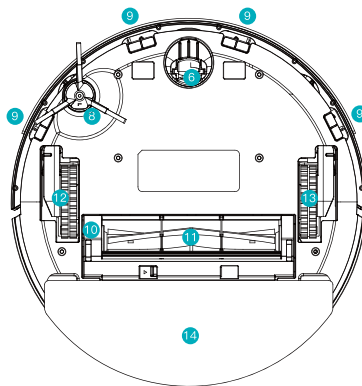
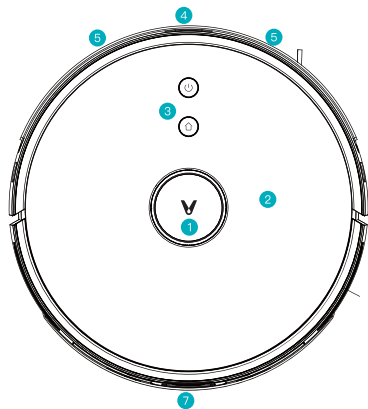
Capteur IR

Bouton de réinitialisation: pour un arrêt forcé.

- Appuyez brièvement (pendant moins de 3 secondes) pour éteindre.

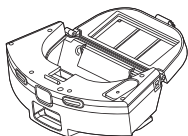
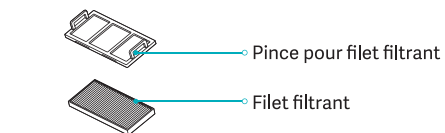
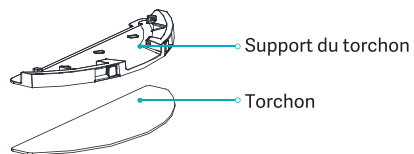
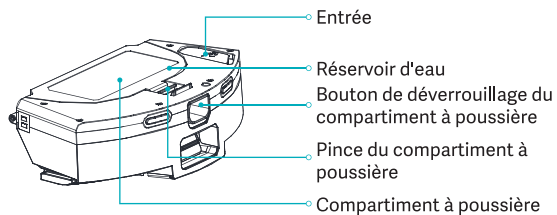


Machine principale et capteur

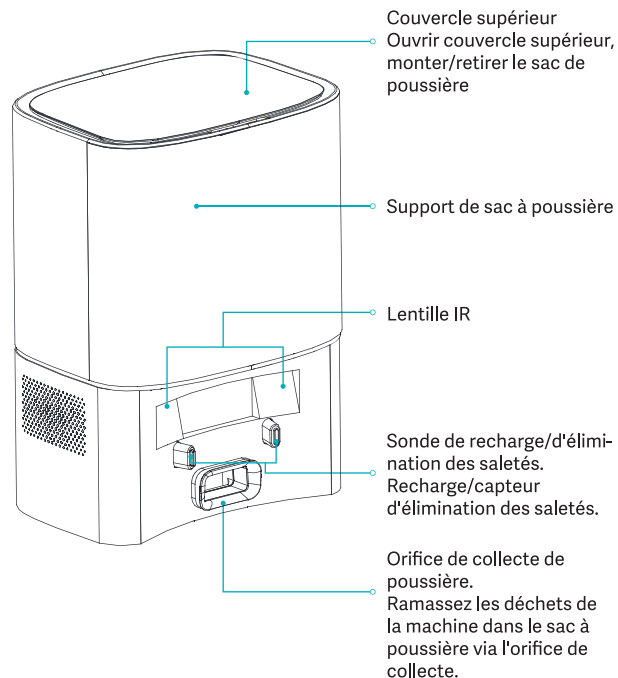


- ① Radar laser
- ② Couverture de surface
- ③ Bouton
- ④ Capteur IR
- ⑤ Capteur de collision
- ⑥ Roulette universelle
- ⑦ Électrode de charge
- ⑧ Brosse latérale
- ⑨ Capteur de falaise
- ⑩ Couvercle de la brosse principale
- ⑪ Brosse à rouler
- ⑫ Roulette gauche
- ⑬ Roulette droite
- ⑭ Élimination des saletés/réservoir d'eau intégré

Compartiment à poussière 2-en-1 avec réservoir d'eau



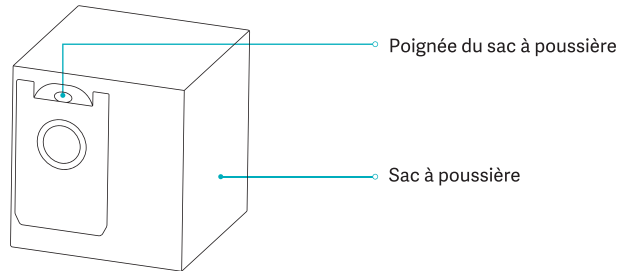
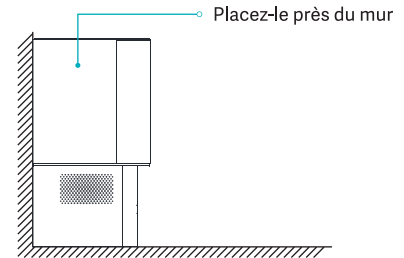
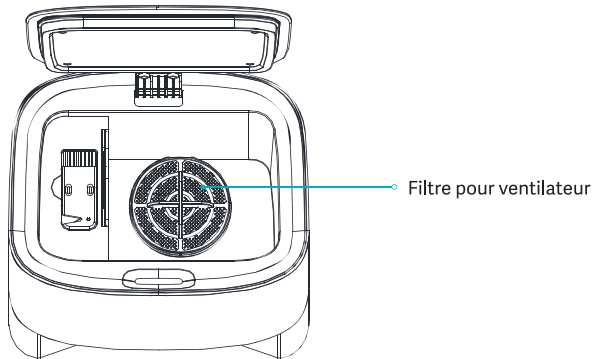
Élimination automatique de la saleté (Deux-en-un pour la collecte et le chargement de la poussière)



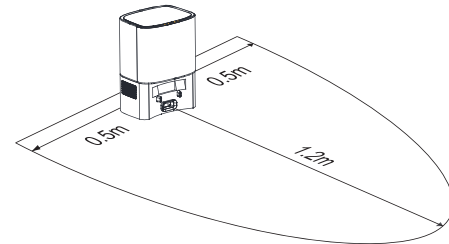
Instructions d'installation

1. Installer l'élimination de la saleté

(1) Placez l'élimination de la saleté sur un sol plat près du mur, branchez la fiche à une prise approuvée et allumez l'alimentation.




(2) Assurer qu'il n'y a pas d'obstacle à moins de 1,2 m à l'avant et à 0,5 m des deux côtés.




Sac à poussière (inclure une élimination de la saleté).
Remarque: le sac à poussière est consommable et ne doit pas être réutilisé. Remplacez-le régulièrement.

Instructions d'opération

1. Allumer/éteindre

Appuyez longuement sur le bouton d'alimentation "  " pendant 3 secondes pour allumer/éteindre la machine. Le voyant d'alimentation clignote lentement pendant 4 secondes, puis s'allume constamment en bleu et l'aspirateur en veille. Au démarrage, il y a une tonalité pour l'invite.

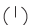
Lorsque l'aspirateur reste immobile, appuyez longuement sur le bouton d'alimentation "  " pendant 3 secondes pour l'éteindre.


Le voyant LED d'alimentation s'éteint et une invite vocale est émise.

Le nettoyeur dormira s'il est inactif pendant plus de 20 minutes. En état de dormir, appuyez sur n'importe quel bouton pour le réveiller.

Conseils: pendant la recharge, le robot ne peut pas être mis hors tension ou dormir.

2. Balayage

En état de mise sous tension, appuyez brièvement sur le bouton "  " avec l'invite vocale "démarrer le nettoyage global".

Pendant le nettoyage, appuyez brièvement sur le bouton "  " pour arrêter le balayage.


Conseils: lorsque le niveau de la batterie est faible, la fonction de balayage ne peut pas être démarrée.

3. Recharge automatique/manuelle

À la fin du balayage, une invite vocale "nettoyage terminé et recharge commencée" est donnée, et l'aspirateur commence à se recharger.

En cas de faible niveau de batterie pendant le balayage, l'aspirateur se recharge automatiquement.

4. Réservoir de remplissage ou torchon de nettoyage à mi-chemin

Appuyez brièvement sur le bouton "  " pour mettre le balai à vide en pause; retirer le torchon module, remplir le réservoir ou nettoyer le torchon; remontez le module de nettoyage et appuyez à nouveau brièvement sur le bouton pour reprendre le balayage.

5. Configuration du réseau et mise à jour du micrologiciel

Téléchargez l'App en scannant le code QR sur la machine et réinitialisez le WiFi en suivant les conseils de l'APP.

Vous pouvez interroger ou mettre à jour le micrologiciel sur l'APP.

Pendant la mise à jour, assurez-vous que la machine est chargée avec un niveau de batterie non inférieur à 60%. Pour plus de détails, reportez-vous aux instructions de l'APP.

Après le téléchargement, configurez le réseau en suivant les conseils de l'application. Après avoir connecté la machine au réseau, vous pouvez commencer le balayage ou le nettoyage programmé à distance sur l'APP.

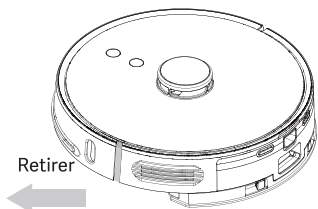
6. En panne

En cas de panne du balai à vide, des alarmes sonores et visuelles seront émises avec le voyant LED d'alimentation clignotant en rouge. Pour plus de détails, reportez-vous à Dépannage.

Le balai à vide se met automatiquement en veille lorsqu'il est inactif pendant 10 minutes en cas de panne.

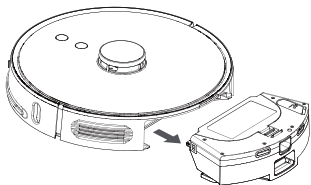
Instructions d'opération

(1) Placez l'aspirateur-torchon sur un sol plat à l'intérieur. Retirez le protecteur de limite des deux côtés du pare-chocs.

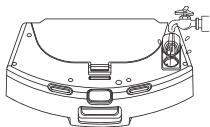


(2) Appuyez sur le bouton de déverrouillage du compartiment à poussière pour retirer le compartiment à poussière 2-en-1 avec réservoir d'eau.

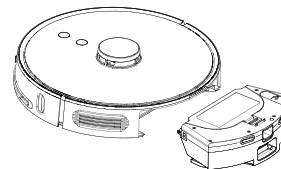
Pour l'utilisation initiale, il peut y avoir très peu d'eau dans le réservoir, qui est un échantillon de test résiduel et dans des conditions normales, et vous pouvez l'utiliser à l'aise.



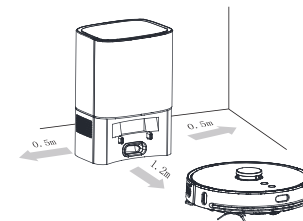
(3) Trempez le torchon avec de l'eau et attachez-la à la bande de ruban magique et serrez-la. Injectez de l'eau par l'entrée et serrez le couvercle.



(4) Montez le compartiment à poussière 2-en-1 avec réservoir d'eau dans la machine.



(5) Appuyez longuement sur le bouton "⏻" pendant 3 secondes pour mettre le balai à vide en marche, puis appuyez brièvement sur le bouton "⏻" pour le recharger. Le balai à vide sera prêt à fonctionner lorsqu'il est complètement rechargé.



Remarque:

1. Le robot retournera à la base d'élimination de la saleté après avoir fonctionné pendant plus d'une 1 minute et démarrera automatiquement le processus de nettoyage. Pendant le dépoussiérage, une flèche clignote en vert sur l'écran.
2. Le robot ne peut pas être allumé en cas de faible niveau de batterie. Dans ce cas, rechargez-le d'abord.
3. En cas de faible niveau de pâte pendant le balayage, le robot ira à la station de charge pour se recharger automatiquement, puis reviendra au point d'interruption pour reprendre le balayage.

Comment connecter au Wi-Fi

Ce produit fonctionne avec Mi Home/Xiaomi Home app*. Contrôlez votre appareil et interagissez-le avec d'autres appareils domestiques intelligents avec Mi Home/Xiaomi Home app.



Scannez le code QR pour télécharger et installer l'app. Vous serez dirigé vers la page de configuration de la connexion si l'app est déjà installée. Ou recherchez "Mi Home/Xiaomi Home" dans l'app Store pour le télécharger et l'installer.

Ouvrez Mi Home/Xiaomi Home app, appuyez sur "+" en haut à droite, puis suivez les invites pour ajouter votre appareil.

* L'app est appelée Xiaomi Home app en Europe (sauf pour la Russie). Le nom de l'app affiché sur votre appareil doit être pris par défaut.

Remarque:

La version de l'app a peut-être été mise à jour, veuillez suivre les instructions en fonction de la version actuelle de l'app.

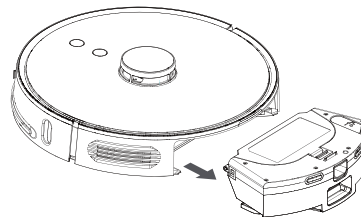
Réinitialiser Wi-Fi

Lorsque votre routeur est remplacé ou que le mot de passe Wi-Fi est modifié, vous devez réinitialiser les paramètres Wi-Fi en maintenant les touches "🕒" et "🏠" pendant 5 secondes jusqu'à ce que le voyant Wi-Fi clignote en bleu et qu'une invite vocale soit donnée, indiquant que les paramètres Wi-Fi sont réinitialisés avec succès.

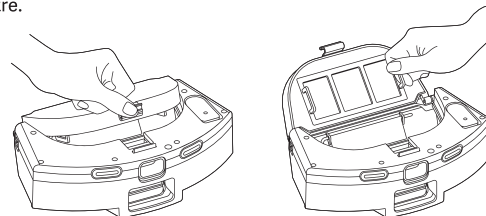
Entretien

Compartiment à poussière 2-en-1 avec réservoir d'eau

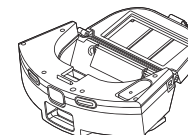
(1) Appuyez sur le bouton de déverrouillage du compartiment à poussière et retirez le réservoir pour le retirer.



(2) Relâchez la pince du compartiment à poussière pour retirer la pince du filtre.



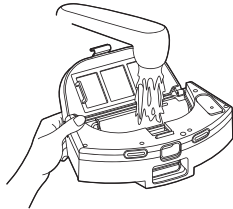
(3) Retirez l'écran du filtre.



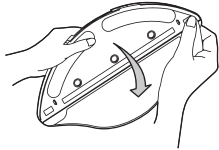
(4) Nettoyez le tamis du filtre et la pince avec une brosse de nettoyage.



(5) Remplissez la poubelle avec de l'eau, secouez-la puis videz-la. Répétez ce processus jusqu'à ce qu'il soit propre.



(6) Retournez le réservoir et retirez le torchon pour le nettoyer ou remplacez-le.



Conseils:

Nettoyez le torchon régulièrement, car une torchon contaminée nuira aux performances de balayage.

Assurez-vous de retirer le torchon et de le nettoyer, puis de le sécher en la tournant. Ne le nettoyez pas lorsqu'il est monté sur le réservoir, sinon les eaux usées pourraient bloquer l'élément filtrant.

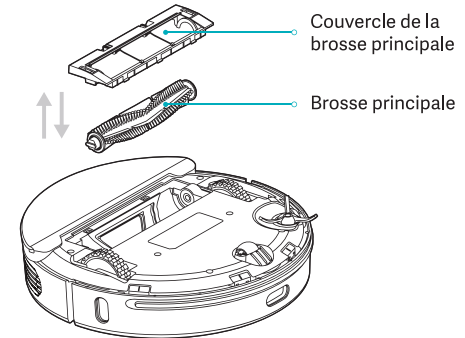
Il est recommandé de remplacer la brosse principale tous les 6 à 12 mois pour garantir des performances de nettoyage appropriées.

Nettoyage de la brosse principale

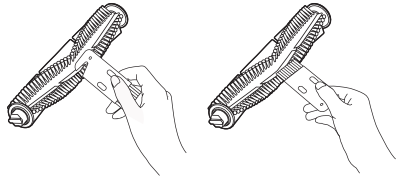
La brosse principale est consommable et doit être nettoyée chaque semaine. Il est recommandé de remplacer la brosse principale tous les 6 à 12 mois pour garantir des performances de nettoyage appropriées.

(1) Retournez le nettoyeur, retirez le couvercle de la brosse principale et la brosse en appuyant sur la pince du couvercle.

Remarque: évitez les collisions lorsque vous le retournez pour éviter d'endommager le radar laser.



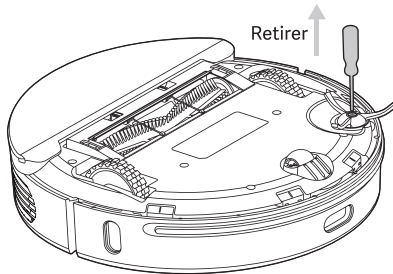
(2) Coupez les poils autour de la brosse avec un couteau et nettoyez la brosse principale avec l'autre extrémité du couteau.



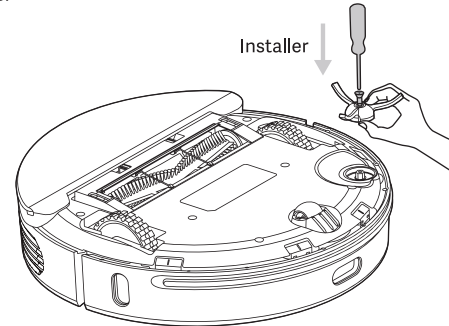
(3) Montez la brosse principale et le couvercle de la brosse principale et verrouillez le collier.

Nettoyer/remplacer la brosse latérale

(1) Retirez les vis de fixation de la brosse latérale avec un tournevis et retirez la brosse latérale.



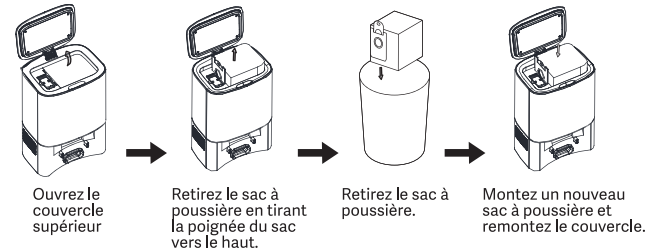
(2) Montez la brosse latérale après le nettoyage ou remplacez la brosse latérale.



Conseils: il est recommandé de remplacer la brosse latérale tous les 3 à 6 mois pour garantir des performances de nettoyage appropriées.

Remplacer le sac à poussière

Dans le cas où l'icône FULL DUST BAG clignote en orange sur l'écran ou si un message s'affiche sur l'App lorsque le sac à poussière est plein, veuillez remplacer le sac immédiatement. Lorsque le sac à poussière fonctionne normalement, l'icône continue de clignoter en vert et blanc.



Nettoyer le conduit de poussière

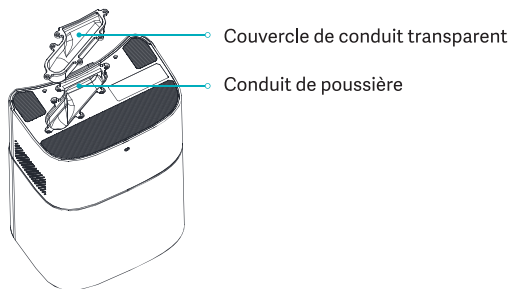
Dans le cas où l'icône FULL DUST BAG est toujours de couleur orange même après le remplacement du sac, il est recommandé de débrancher la prise d'alimentation, de retourner la pile de charge pour vérifier si le conduit de poussière est obstrué par des corps étrangers.

Si le conduit de poussière est bloqué, retirez le couvercle du conduit avec un tournevis, comme illustré ci-dessous.

Retirez tout corps étranger.

Remarque: ne le démontez pas avec une force excessive.

Après avoir terminé le nettoyage, remettez-le en place.



Entretien de la batterie

Le balai à vide contient une batterie lithium-ion rechargeable haute performance intégrée. Pour maintenir des performances de batterie adéquates, rechargez-la régulièrement.

Si le balai à vide reste inactif pendant une longue période, éteignez-le et rechargez-le une fois tous les trois mois pour éviter tout dommage dû à une décharge excessive.

Nettoyer le capteur

Il est recommandé de nettoyer chaque semaine chaque capteur avec un chiffon propre et doux pour garantir des performances de nettoyage appropriées.

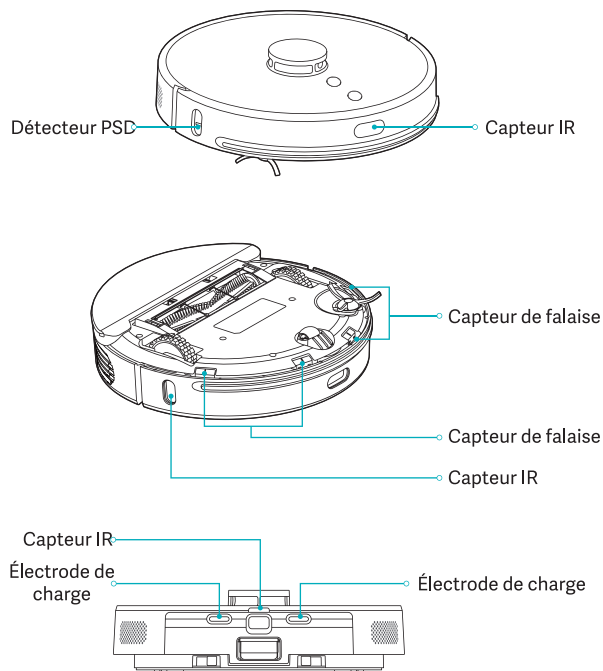
Aspirateur robot:

Capteur de falaise × 4

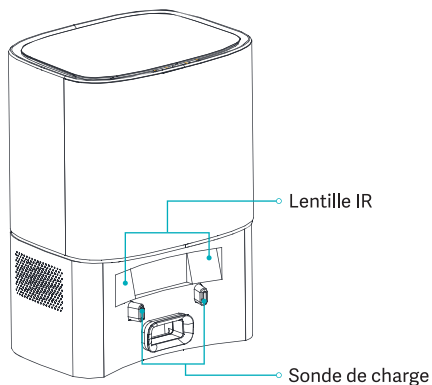
Capteur IR × 3

Électrode de charge × 2

Détecteur PSD × 1



Élimination automatique de la saleté:
Lentille IR × 2
Sonde de charge × 2



Spécifications

Machine principale

Nom	Viomi Robot Vacuum S9-Élimination Automatique de Saleté
Modèle de produit	V-RVCLMD28A/V-RVCLMD28B
Dimensions	φ 350mm×98mm
Tension nominale	14,4 V ===
Puissance nominale	50 W
Capacité de la batterie	5200 mAh
Connexion sans fil	Wi-Fi IEEE 802.11b/g/n 2,4 GHz

Élimination Automatique de Saleté

Modèle de produit	V-ADD26A/V-ADD26B
Puissance nominale	950W
Entrée nominale	220-240V-50/60Hz
Sortie nominale	24V === 1.5A
Fréquence nominale	50/60Hz
Dimensions	356×250×193mm

Ce produit est conforme à la norme de sécurité laser de classe 1 sous IEC60825-1: 2014 et ne générera pas de rayonnement laser dangereux sur le corps humain.

Dépannage

Invite de panne	Solution
Anormal 1. Assurer que le capteur de radar laser n'est pas bloqué.	Recherchez ou retirez tout corps étranger autour du radar laser, ou déplacez le Vacuum-Mop et redémarrez-le.
Anormal 2. Nettoyer le capteur de falaise et déplacer l'aspirateur.	Nettoyez le capteur de falaise et réessayez (pour plus de détails, reportez-vous au manuel d'utilisation).
Anormal 3. Un champ magnétique puissant est détecté. Déplacez le nettoyeur et réessayez.	Déplacez le Vacuum-Mop et réessayez.
Anormal 4. Vérifiez le capteur de collision et retirez tout objet étranger dessus.	Essayez d'appuyer sur la bande de protection et de retirer tout corps étranger, puis redémarrez le Vacuum-Mop.
Anormal 5. Le Vacuum-Mop est à une température anormale. Arrêtez de fonctionner jusqu'à ce que la température normale soit rétablie.	Le Vacuum-Mop est à une température trop élevée ou trop basse. Arrêtez de fonctionner jusqu'à ce que la température normale soit rétablie.
Anormal 6: le chargement échoue. Veuillez nettoyer le contact de charge.	Vérifiez l'adaptateur ou vérifiez si l'élimination des saletés est en position horizontale. Éteignez le Vacuum-Mop et l'élimination des saletés, nettoyez leurs contacts métalliques.

L'invite de défaut d'élimination des saletés	Solution
Anormal 1. Le sac à poussière n'est pas monté. Le texte "Sac plein" s'affiche et l'icône clignote.	Remettez le sac à poussière en place.
Anormal 2. Le ventilateur échoue, le texte est donné et l'icône clignote.	Vérifiez si le conduit d'air est obstrué et contactez le service après-vente pour le dépannage.

FAQ

Problème	Solution
Le nettoyeur ne démarre pas.	Niveau de batterie faible. Gardez la machine près du siège de chargement et réessayez. Température ambiante trop basse (inférieure à 0 °C) ou élevée (supérieure à 50 °C)
La fonction de balayage échoue.	Niveau de batterie faible. Gardez la machine près du siège de chargement et réessayez.
La fonction de charge échoue.	Trop de barrières autour de l'élimination automatique de la saleté. Placez l'élimination automatique de la saleté dans une zone non bloquée. La machine principale est trop éloignée de l'élimination automatique des saletés. Placez la machine principale près de l'élimination automatique des saletés et réessayez.

FAQ

Problème	Solution
La machine ne fonctionne pas correctement.	Éteignez-le et rallumez-le.
L'opération de nettoyage est bruyante.	La brosse principale, la brosse latérale ou la roulette gauche/droite sont endommagées par le corps étranger. Mettez la machine hors tension et retirez le corps étranger.
Les performances de nettoyage se détériorent ou la poussière tombe.	L'élimination de la saleté est pleine de poussière. Veuillez vider le collecteur. Le composant du filtre est bloqué. Veuillez le nettoyer. La brosse principale est endommagée par tout objet étranger. Veuillez nettoyer la brosse principale.
La connexion Wi-Fi n'est pas disponible.	Signaux Wi-Fi faibles. Assurez que le robot est correctement couvert par les signaux Wi-Fi. La connexion Wi-Fi échoue. Réinitialisez la connexion Wi-Fi, téléchargez la dernière App et réessayez.
Nettoyage intermittent.	Assurez que le mode sans perturbation n'est pas activé, ce qui désactivera la poursuite au point de rupture. La procédure au point de rupture n'est pas disponible lorsque la machine est en cours de charge.
Le Vacuum-Mop ne revient pas à l'élimination automatique des saletés après un nettoyage ou un déplacement en point fixe.	Comme le Vacuum-Mop régénérera une carte après un nettoyage en point fixe ou après avoir été déplacé sur une longue distance, il peut ne pas localiser l'élimination automatique des saletés pour le chargement. Dans ce cas, placez manuellement la machine sur l'élimination automatique des saletés.

Problème	Solution
La charge échoue.	Assurez qu'il y a suffisamment d'espace autour de l'élimination automatique des saletés et qu'il n'y a pas de poussière ou de blocage sur la surface de l'électrode de l'élimination automatique des saletés.
Le nettoyage programmé échoue.	Assurez que la machine a été connectée au réseau, car la déconnexion du réseau échouera la synchronisation et la tâche de nettoyage planifiée.
Le Vacuum-Mop est toujours hors ligne.	Assurez que la machine est correctement connectée au réseau et toujours dans la couverture Wi-Fi.
Le Vacuum-Mop ne parvient pas à être couplé avec le téléphone portable.	Assurez que l'élimination automatique des saletés et la machine principale sont à portée du Wi-Fi et de bons signaux, puis réinitialisez la connexion Wi-Fi pour le couplage en suivant les instructions du manuel.

Einschränkungen der Operation

- Dieses Produkt darf nur zur Reinigung der Bodenoberfläche in Wohnhäusern verwendet werden, nicht jedoch im Freien, auf anderen Oberflächen (z.B. Couch) oder in gewerblichen oder industriellen Umgebungen.
 - Verwenden Sie dieses Produkt nicht in einer Umgebung ohne Geländer, wie z.B. Duplex, offener Balkon und Oberseite von Möbeln.
 - Verwenden Sie dieses Produkt nicht bei Temperaturen höher als 40°C oder niedriger als 0°C oder auf Bodenoberflächen mit flüssigen oder viskosen Stoffen.
 - Bevor Sie dieses Produkt in Betrieb nehmen, entfernen Sie alle Drähte/Kabel auf der Bodenoberfläche.
 - Entfernen Sie alle zerbrechlichen Gegenstände und Kleinigkeiten auf der Bodenoberfläche, wie z.B. Vasen oder Plastiktüten, um zu vermeiden, dass sie von der Hauptmaschine gestoßen und beschädigt werden.
 - Erlauben Sie Personen mit körperlichen, geistigen oder sinnlichen Störungen (einschließlich Kindern) nicht, dieses Produkt zu benutzen oder zu bedienen.
 - Erlauben Sie Kindern nicht, mit dem Hauptgerät zu spielen. Halten Sie Kinder oder Haustiere während des Betriebs vom Hauptgerät fern.
 - Stellen Sie keine Gegenstände auf das Hauptgerät, das stationär oder in Bewegung ist, und setzen Sie sich nicht darauf.
 - Verwenden Sie dieses Produkt nicht zum Reinigen von brennenden Gegenständen (z.B. brennende Zigarettenkippen).
 - Verwenden Sie dieses Produkt nicht zur Teppichreinigung.
 - Verwenden Sie dieses Produkt nicht, um harte oder scharfe Gegenstände wie Schrott, Glas und Eisennagel aufzusaugen.
 - Fassen Sie dieses Produkt nicht an der Schutzabdeckung des Laserradars als Griff an.
- Reinigen Sie Hauptmaschine und Ladedock nur, wenn dieses Produkt ausgeschaltet oder die Stromversorgung unterbrochen ist.
- Spritzen Sie keine Flüssigkeit in dieses Produkt rein, mit Ausnahme der Schmutzbeseitigung, die gereinigt werden kann.
 - Stellen Sie die Hauptmaschine nicht auf den Kopf und stellen Sie das Laserradar nicht auf den Boden.

- Verwenden Sie den Vakuum-Mop nicht zum Reinigen des Teppichs.
- Verwenden Sie dieses Produkt gemäß den Anweisungen oder der Schnellstartanleitung. Der Benutzer trägt die Verantwortung für Verluste oder Verletzungen, die durch unsachgemäßen Gebrauch entstehen.

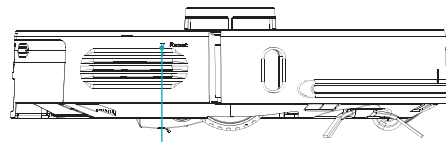
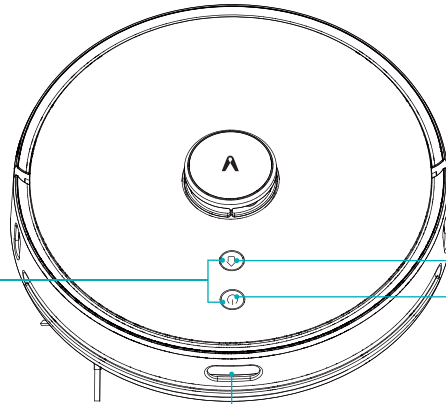
Batterie und Aufladen

- Verwenden Sie keine Akkus, Netzteile und Ladedocks von Drittanbietern.
- Verwenden Sie keine nicht wiederaufladbaren Batterien.
- Demontieren, reparieren und montieren Sie den Akku oder die Ladestation nicht.
- Platzieren Sie die Ladestation nicht in der Nähe einer Wärmequelle, z. B. eines Heizkörpers, und verwenden Sie keine feuchten Tücher oder Flüssigkeiten, um Teile dieses Produkts zu reinigen.
- Werfen Sie Altbatterien nicht wahllos weg. Es wird empfohlen, sie von einer Fachagentur entsorgen zu lassen.
- Um dieses Produkt zu transportieren, schalten Sie es unbedingt aus und verwenden Sie die Originalverpackung, um es zu schützen.
- Wenn dieses Produkt über einen längeren Zeitraum nicht benutzt wird, laden Sie den Akku vollständig auf und lagern Sie ihn an einem trockenen und kühlen Ort. Laden Sie ihn mindestens monatlich auf, um Schäden am Akku zu vermeiden.
- Verwenden Sie zum Entfernen der Batterie ein geeignetes Werkzeug. Entfernen Sie zuerst die Schrauben an der unteren Abdeckung, nehmen Sie dann die Abdeckung ab und ziehen Sie die Batterieanschlussklemmen ab, um die Batterie zu entfernen. Vor der Handhabung des Roboters muss die Batterie entfernt werden. Beim Entfernen der Batterie muss der Roboter ausgeschaltet sein.

Dieses Produkt entspricht der Laserschutznorm der Klasse 1 gemäß IEC60825-1:2014 und erzeugt keine für die Menschen gefährliche Laserstrahlung.

Netzwerk-Konfiguration

- Wenn der Roboter eingeschaltet ist, halten Sie die "⏸" und "🏠" Tasten gedrückt für 5 Sekunden lang gleichzeitig, bis eine Stimme-Prompt gegeben wird, und lassen Sie dann los, um die Netzwerkkonfiguration zu starten. Wenn der Roboter eingeschaltet ist, halten Sie die "⏸" und "🏠" Tasten gedrückt für 10 Sekunden lang gleichzeitig, bis eine Stimme-Prompt gegeben wird, halten Sie dann weiter die Tasten gedrückt für 10 Sekunden, um die Wiederherstellung auf Werkseinstellungen zu beenden.



Smart Aufladung

- Kurz auf die Taste drücken, um das intelligente Aufladen zu starten. Die LED-Anzeige blinkt langsam in gelber Farbe und zeigt damit an, dass der Akku wieder aufgeladen wird bzw. der Batteriestand niedrig ist. Flackern in gelber Farbe zeigt an, dass der Akku wieder aufgeladen wird.

Ein- und Ausschalten/ Globales Kehren

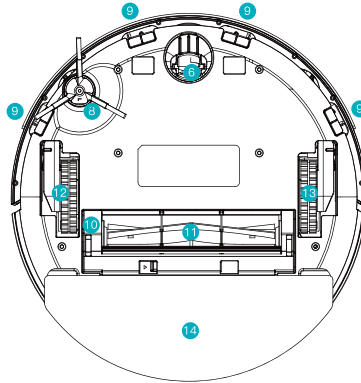
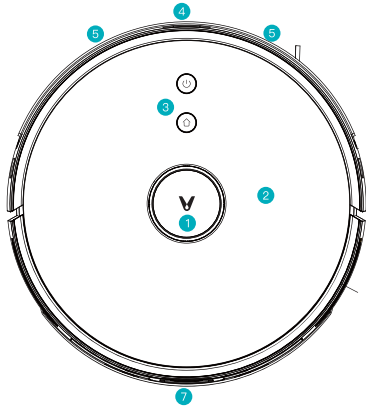
- Kurz auf die Taste drücken, um das Fegen zu starten/zu beenden.
- Drücken Sie die Taste 3 Sekunden lang, um das Gerät ein-/auszuschalten.
- Ist Licht ständig in blauer Farbe an, zeigt es einen erfolgreichen Anschluss/Normalbetrieb/Standby-Zustand. Ein Flackern in blauer Farbe zeigt an, dass das Gerät eingeschaltet ist. Langsames Blinken in blauer Farbe zeigt an, dass die Firmware auf die Werkseinstellungen aktualisiert bzw. wiederhergestellt wurde. Schnelles Blinken in blauer Farbe zeigt die Netzwerkkonfiguration an. Flackern in roter Farbe, das einen niedrigen Batteriestand anzeigt. Schnelles Blinken in roter Farbe weist auf einen Betriebsfehler hin. Die LED-Anzeige erlischt und zeigt damit an, dass die Stromversorgung abgeschaltet/eingeschlafen ist.

IR Sensor

Reset-Knopf: für gezwungenes Abschalten.

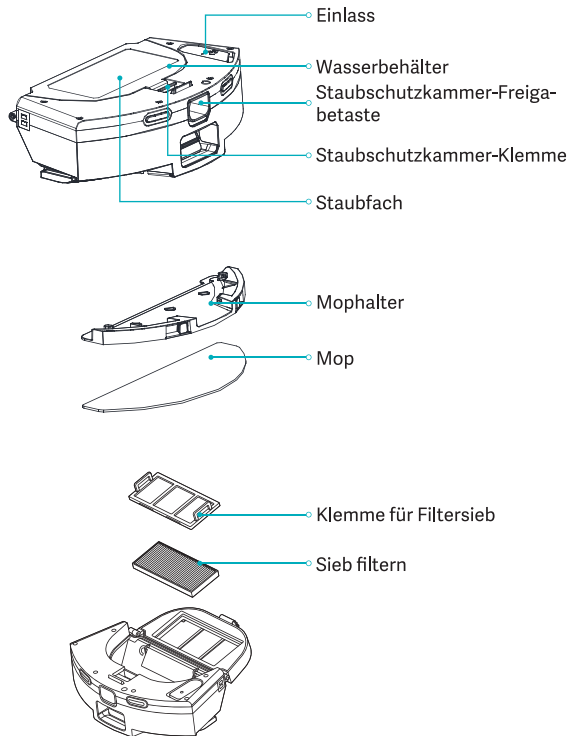
- Kurzer Druck (für weniger als 3 Sekunden) zum Ausschalten.

Haupt-Maschine und Sensor

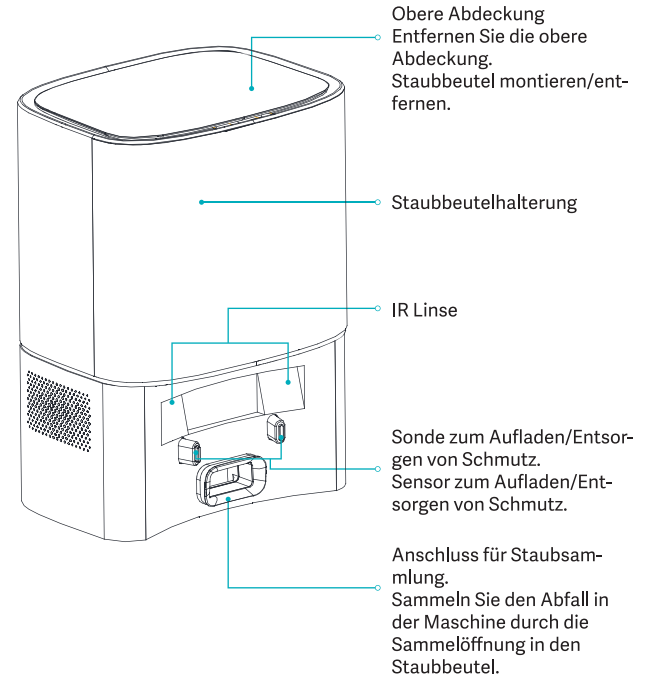


- | | |
|--------------------------|--|
| ① Laser-Radar | ⑧ Seitenbürste |
| ② Oberflächenabdeckung | ⑨ Kliff-Sensor |
| ③ Knopf | ⑩ Abdeckung der Hauptbürste |
| ④ IR-Sensor | ⑪ Rollende Bürste |
| ⑤ Kollisionssensor | ⑫ Linke Nachlaufrolle |
| ⑥ Universal-Gießmaschine | ⑬ Nachlauf rechts |
| ⑦ Aufladeelektrode | ⑭ Integrierte Schmutzbe-
seitigung/Wassertank |

2-in-1 Staubschutzkammer mit Wassertank



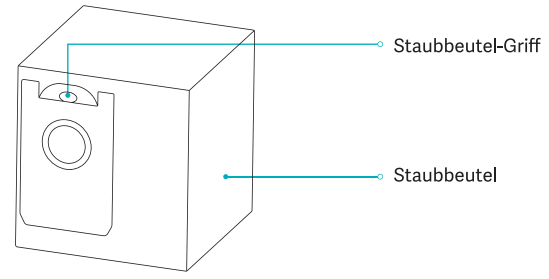
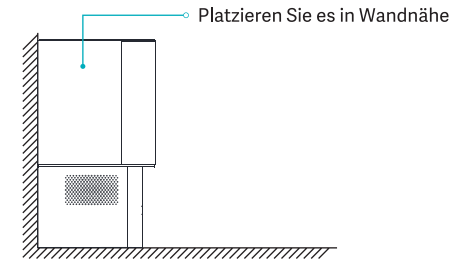
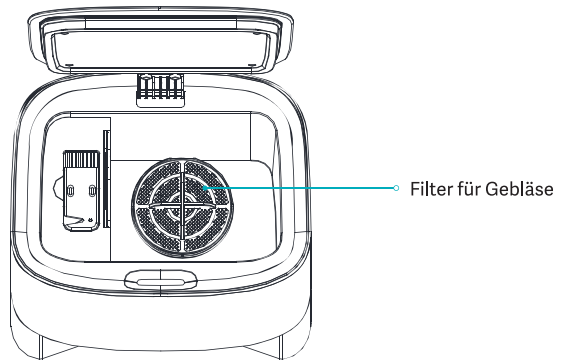
Automatische Schmutzbeseitigung (Two-in-One für Staubsammlung und Aufladung)



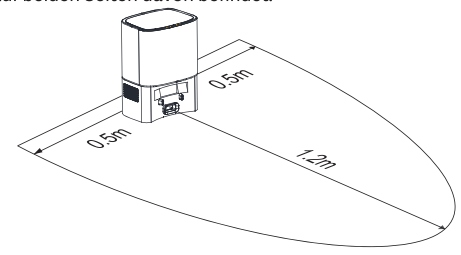
Anweisungen zur Installation

1. Das Schmutzbeseitigungsgerät installieren

(1) Stellen Sie das Schmutzbeseitigungsgerät auf einen flachen Boden in der Nähe einer Wand, schließen Sie den Stecker an eine zugelassene Steckdose an und schalten Sie den Strom ein.



(2) Stellen Sie sicher, dass sich kein Hindernis im Umkreis von 1,2 m vor und 0,5 m auf beiden Seiten davon befindet.



Staubbeutel (mit einer Schmutzbeseitigung).
Hinweis: Der Staubbeutel ist ein Verbrauchsmaterial und darf nicht wiederverwendet werden. Ersetzen Sie ihn regelmäßig.

Bedienungshinweise

1.ein/aus schalten

Halten Sie die Power-Taste "⏻" gedrückt für 3 Sekunden, um die Maschine an / aus zu schalten. Die Power-LED blinkt langsam für vier Sekunden, dann leuchtet es in blau kontinuierlich, und das Reinigungsgerät ist im Standby-Zustand. Beim Start gibt es einen schnellen Ton. Wenn das Reinigungsgerät stillstehend ist, halten Sie die Power-Taste "⏻" für 3 Sekunden, um das Gerät auszuschalten.

Die Power-LED ist ausgeschaltet und ein Stimmprompt wird angegeben. Das Reinigungsgerät wird einschlafen, wenn es länger als zwanzig Minuten untätig ist.Im Schlaf wird ein kurzer Tastendruck es aufwecken. Tipp: Während des Ladevorgangs kann der Roboter weder abgeschaltet werden noch schlafen.

2. Fegen

Im Startzustand drücken Sie kurz die "⏻" Taste und das Stimme-Prompt startet das globale Fegen. Während der Reinigung drücken Sie die "⏻" Taste kurz, um die Reinigung zu unterbrechen.

Tipps: Bei niedrigem Batteriestand kann die Sweepfunktion nicht gestartet werden.

3.automatische/manuelle Aufladung

Am Ende des Fegenvorgangs ertönt das Stimme/Prompt "Reinigung beendet und Aufladen begonnen", und der Vakuum-Mop beginnt mit dem Aufladen.

Beim niedrigen Batteriestand während des Fegenvorgangs wird der Vakuum-Mop automatisch das Aufladen starten.

4. den Tank oder Reinigungsmopp auf halber Strecke nachfüllen

Drücken Sie kurz die "⏻" Taste, um den Vakuum-Mop anzuhalten; entfernen Sie das Mopp-Modul, füllen Sie den Tank oder reinigen Sie den Mopp; installieren Sie das Mopp-Modul erneut und drücken Sie den Knopf erneut kurz, um das Fegen fortzusetzen.

5.Netzwerkconfiguration und Firmware-Aktualisierung

Laden Sie die App herunter, indem Sie den QR-Code auf der Maschine scannen und setzen Sie Wifi zurück, indem Sie den Tips auf APP folgen. Sie können die Firmware auf App abfragen oder aktualisieren. Stellen Sie während der Aktualisierung sicher, dass das Gerät mit einem Akkuladestand von nicht unter 60% geladen wird. Weitere Einzelheiten finden Sie in der Anleitung in der App.

Nach dem Herunterladen konfigurieren Sie das Netzwerk, indem Sie die Tipps zu APP befolgen. Nachdem Sie das Gerät mit dem Netzwerk verbunden haben, können Sie mit dem Sweepen oder der geplanten Reinigung per Fernzugriff unter App.

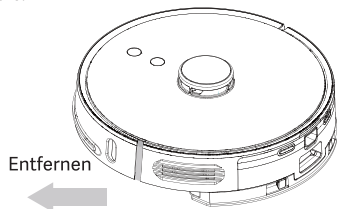
6. Störung

Im Falle eines Fehlers im Vakuum-Mop werden akustische und optische Alarme ausgegeben, wobei die Power-LED-Anzeige rot blinkt. Weitere Einzelheiten finden Sie unter Fehlerbehebung.

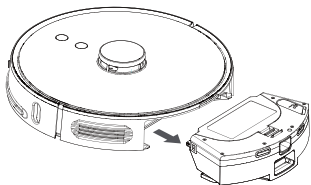
Der Vakuum-Mop schläft automatisch, wenn er im Falle eines Fehlers 10 Minuten lang nicht benutzt wird.

Bedienungshinweise

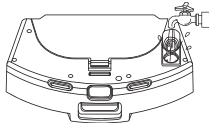
(1) Plazieren Sie den Vakuumpop auf einen flachen Boden im Haus. Entfernen Sie den Begrenzungsschutz auf beiden Seiten des Stoßfängers.



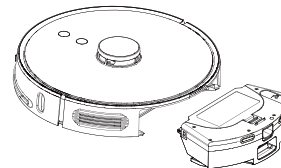
(2) Drücken Sie den Entriegelungsknopf für das Staubschutzkammer, um das 2-in-1-Staubschutzkammer mit Wassertank zu entfernen. Bei der ersten Verwendung kann sich im Tank, bei dem es sich um eine Restprobe handelt und der sich in normalem Zustand befindet, sehr wenig Wasser befinden, und Sie können ihn problemlos verwenden.



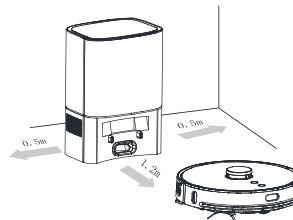
(3) Weichen Sie den Mop mit Wasser ein und befestigen Sie ihn an einem magischen Klebeband und ziehen Sie ihn fest. Spritzen Sie Wasser durch den Einlass ein und ziehen Sie den Bezug fest.



(4) Montieren Sie das 2-in-1-Staubschutzkammer mit Wassertank in die Maschine.



(5) Drücken Sie die Taste "⏻" 3 Sekunden lang, um den Vakuumpop einzuschalten, und drücken Sie dann die Taste "🏠" kurz, um ihn wieder aufzuladen. Der Vakuumpop ist betriebsbereit, wenn er vollständig aufgeladen ist.



Anmerkung:

1. der Roboter kehrt nach einer Betriebsdauer von mehr als 1 Minute zur Schmutzbeseitigungsbasis zurück und beginnt automatisch mit dem Aufräumvorgang. Während der Staubsammlung blinkt ein Pfeil in grüner Farbe auf dem Bildschirm.
2. der Roboter kann bei niedrigem Batteriestand nicht eingeschaltet werden. Laden Sie ihn in einem solchen Fall zuerst auf.
3. Bei niedrigem Batteriestand während des Fegensvorgangs geht der Roboter zum automatischen Aufladen zum Ladedock und kehrt dann zum Unterbrechungspunkt zurück, um den Fegensvorgang fortzusetzen.

Wie verbinden Sie mit Wifi?

Dieses Produkt funktioniert mit der Mi Home/Xiaomi Home-App *. Steuern Sie Ihr Gerät und interagieren Sie es und andere Smart-Home-Geräte mit der Mi Home/Xiaomi Home-App *.



Scannen Sie den QR-Code, um die APP herunterzuladen und zu installieren. Wenn die APP bereits installiert ist, werden Sie auf die Seite für die Verbindungseinrichtung weitergeleitet. Oder suchen Sie "Mi Home/Xiaomi Home" im App Store, um die APP herunterzuladen und zu installieren.

Öffnen Sie die Mi Home/Xiaomi Home-App, tippen Sie oben rechts auf "+" und folgen Sie dann den Anweisungen, um Ihr Gerät hinzuzufügen.

* Die APP wird in Europa (außer in Russland) als Xiaomi Home App bezeichnet. Der Name der auf Ihrem Gerät angezeigten APP sollte als Standardname/voreingestellter Name genommen werden.

Anmerkung:

Die Version der APP könnte aktualisiert worden sein, bitte folgen Sie den Anweisungen, die auf der aktuellen Version der APP basieren.

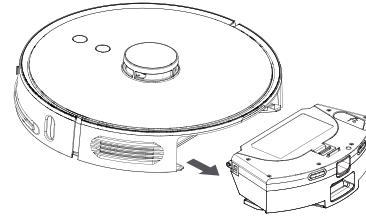
Wi-Fi neu einstellen

Wenn Sie den Router ändern oder das Wi-Fi-Passwort ändern, müssen Sie die Tasten "⏮" und "⏭" 5 Sekunden lang gedrückt halten, bis die Wi-Fi-Anzeige blau blinkt und eine Stimme-Prompt erscheint, die anzeigt, dass die Wi-Fi-Einstellungen erfolgreich neu eingestellt wurden.

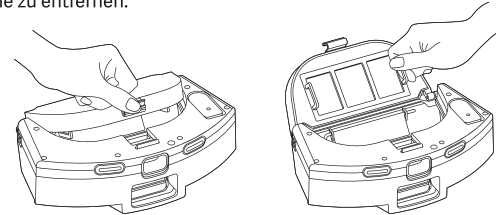
Instandhaltung

2-in-1-Staubschuttkammer mit Wassertank

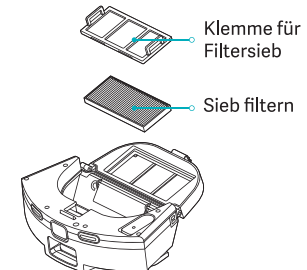
(1) Drücken Sie den Entriegelungsknopf für das Staubschuttkammer und ziehen Sie den Tank heraus, um ihn zu entfernen.



(2) Lösen Sie die Staubschuttkammersklemmen, um die Filtersiebklammer zu entfernen.



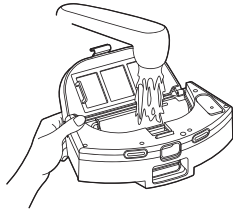
(3) Entfernen Sie den Filter-Bildschirm.



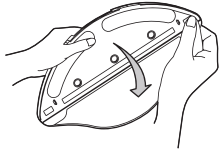
(4) Reinigen Sie das Filtersieb und die Klemme mit einer Reinigungsbürste.



(5) Füllen Sie den Schmutzbehälter mit Wasser, schütteln Sie ihn und entleeren Sie ihn dann. Wiederholen Sie diesen Vorgang, bis sie sauber ist.



(6) Drehen Sie den Tank um und nehmen Sie den Mop zur Reinigung heraus oder ersetzen Sie ihn.



Tipps:

Reinigen Sie den Wischmopp regelmäßig, da verschmutzte Wischmopps die Fegenleistung beeinträchtigen.

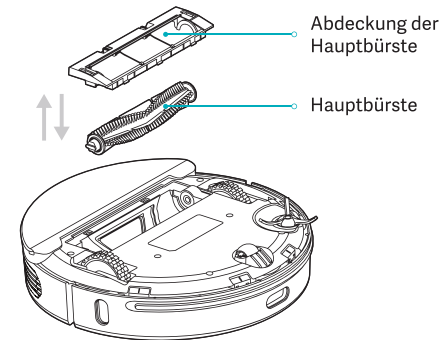
Achten Sie darauf, den Mop zu entfernen und zu reinigen, und trocknen Sie ihn dann durch Verdrehen. Reinigen Sie ihn nicht, wenn er am Tank montiert ist, da sonst das Abwasser das Filterelement verstopfen kann. Es wird empfohlen, die Hauptbürste alle 6-12 Monate zu ersetzen, um eine einwandfreie Reinigungsleistung zu gewährleisten.

Reinigung der Hauptbürste

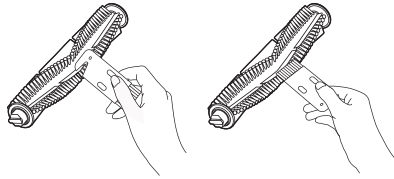
Die Hauptbürste ist ein Verbrauchsmaterial und muss wöchentlich gereinigt werden. Es wird empfohlen, die Hauptbürste alle 6-12 Monate zu ersetzen, um eine einwandfreie Reinigungsleistung zu gewährleisten.

(1) Reiniger umdrehen, Hauptbürstenabdeckung und Bürste durch Drücken der Klemme an der Abdeckung entfernen.

Hinweis: Vermeiden Sie Kollisionen beim Umdrehen, um Schäden am Laserradar zu vermeiden.



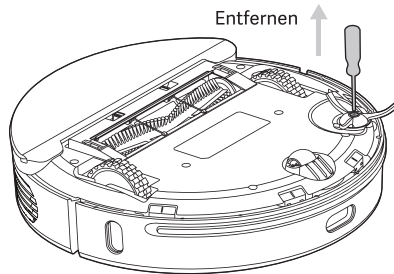
(2) Schneiden Sie die Haare um die Bürste herum mit dem Messer ab und reinigen Sie die Hauptbürste mit dem anderen Ende des Messers.



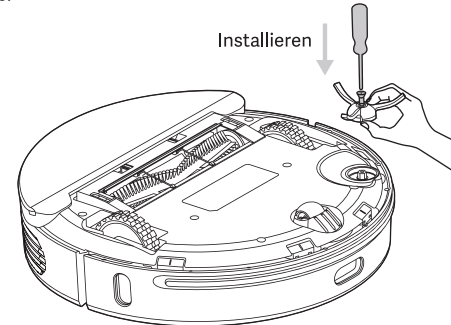
(3) Montieren Sie die Hauptbürste und die Hauptbürstenabdeckung und verriegeln Sie die Klemme.

Seitenbürste reinigen/ersetzen

(1) Retirez les vis de fixation de la brosse latérale avec un tournevis et retirez la brosse latérale.



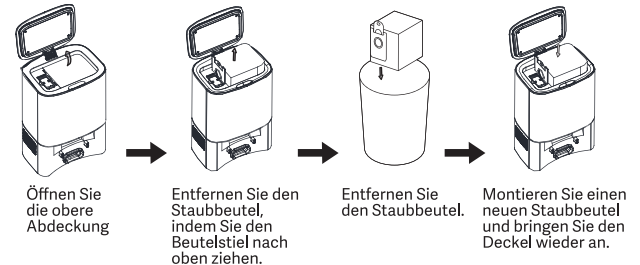
(2) Montez la brosse latérale après le nettoyage ou remplacez la brosse latérale.



Tipps: Es wird empfohlen, die Seitenbürste alle 3-6 Monate zu ersetzen, um eine einwandfreie Reinigungsleistung zu gewährleisten.

Staubbeutel austauschen

Falls das Symbol VOLLSTÄUBENER STAUBBEUTEL auf dem Bildschirm orange blinkt oder eine Meldung auf der APP erscheint, wenn der Staubbeutel voll ist, ersetzen Sie den Beutel bitte sofort. Wenn sich der Staubbeutel im normalen Betrieb befindet, blinkt das Symbol weiterhin in grüner und weißer Farbe.



Staubleitung reinigen

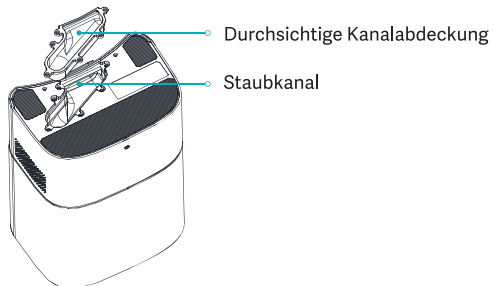
Für den Fall, dass das Symbol VOLLSTÄUBENER STAUBBEUTEL auch nach dem Auswechseln des Beutels immer noch orangefarbig ist, wird empfohlen, den Netzstecker zu ziehen und den Ladestapel auf den Kopf zu stellen, um zu prüfen, ob der Staubkanal durch Fremdkörper blockiert ist.

Wenn der Staubkanal blockiert ist, entfernen Sie die Kanalabdeckung mit einem Schraubendreher, wie unten dargestellt.

Entfernen Sie alle Fremdkörper.

Hinweis: Zerlegen Sie es nicht mit übermäßigem Gewalt.

Nach Beendigung der Aufräumarbeiten wieder an Ort und Stelle montieren.



Instandhaltung der Batterie

Der Vakuum-Mop enthält einen eingebauten wiederaufladbaren Hochleistungs-Lithium-Ionen-Akku. Um eine ausreichende Akkuleistung aufrechtzuerhalten, sollte er regelmäßig aufgeladen werden.

Wenn der Vakuum-Mop längere Zeit nicht benutzt wird, schalten Sie ihn aus und laden Sie ihn alle drei Monate auf, um Schäden durch Überentladung zu vermeiden.

Reinigen Sie den Sensor

Es wird empfohlen, jeden Sensor wöchentlich mit einem sauberen und weichen Tuch zu reinigen, um eine einwandfreie Reinigungsleistung zu gewährleisten.

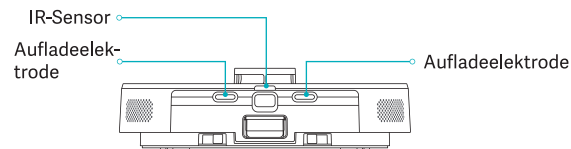
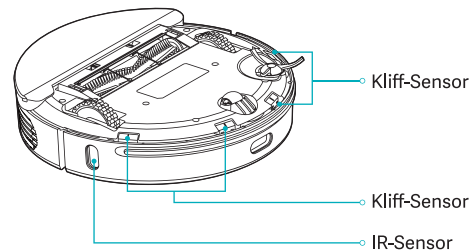
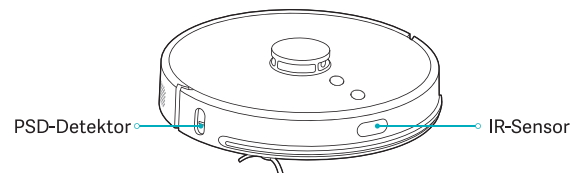
Roboter-Vakuum:

Kliff-Sensor × 4

IR-Sensor × 3

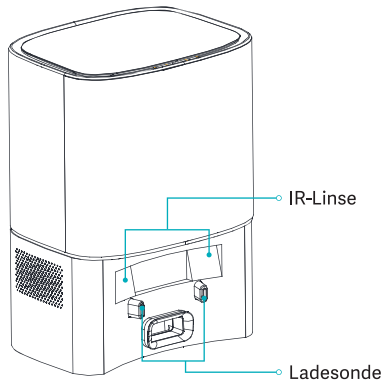
Aufladeelektrode × 2

PSD-Detektor × 1



Spezifikationen

Automatische Schmutzentsorgung:
IR-Linse × 2
Ladesonde × 2



Hauptmaschine

Name	Viomi Roboter-Vakuum S9-Automatische Schmutz-Entsorgung
Installieren	V-RVCLMD28A / V-RVCLMD28B
Abmessungen	φ 350mm×98mm
Nennspannung	14.4V $\overline{\text{---}}$
Nennleistung	50W
Kapazität der Batterie	5200mAh
Drahtlose Verbindung	Wi-Fi IEEE 802.11b/g/n 2.4GHz

Automatische Schmutz-Entsorgung

Installieren	V-ADD26A/V-ADD26B
Nennleistung	950W
Bemessungseingang	220-240V-50/60Hz
Nennausgang	24V $\overline{\text{---}}$ 1.5A
Nennfrequenz	50/60Hz
Abmessungen	356×250×193mm

Dieses Produkt entspricht der Laserschutznorm der Klasse 1 gemäß IEC60825-1:2014 und erzeugt keine für die Menschen gefährliche Laserstrahlung.

Fehlerbehebung

Hinweise zu Versagen/Störungen Kehrmaschine	Lösungen
Fehler #1. Stellen Sie sicher, dass der Laser-Entfernungsmesser nicht blockiert ist.	Überprüfen Sie das Laserradar auf Fremdkörper oder entfernen Sie diese, oder stellen Sie den Vakuüm-Mop um und starten Sie ihn neu.
Fehler # 2. Reinigen Sie den Kliffsensor und verlagern Sie den Reiniger.	Reinigen Sie den Kliffsensor und versuchen Sie es noch einmal (weitere Einzelheiten finden Sie im Benutzerhandbuch).
Fehler #3. Ein starkes Magnetfeld wird erkannt. Bringen Sie den Reiniger an einen anderen Ort und versuchen Sie es erneut.	Versetzen Sie den Vakuüm-Mop und versuchen Sie es erneut.
Fehler #4. Überprüfen Sie den Kollisionssensor und entfernen Sie alle Fremdkörper darauf.	Versuchen Sie, auf den Stoßfängerstreifen zu drücken und Fremdkörper zu entfernen, und starten Sie dann den Vakuüm-Mop erneut.
Fehler Nr. 5. Der Vakuüm-Mop hat eine anormale Temperatur. Stoppen Sie den Betrieb, bis die normale Temperatur wieder erreicht ist.	Die Temperatur des Vakuüm-Mops ist zu hoch oder zu niedrig. Unterbrechen Sie den Betrieb, bis die normale Temperatur wieder erreicht ist.
Fehler #6. Aufladung schlägt fehl. Bitte Ladekontakt reinigen.	Überprüfen Sie den Adapter oder prüfen Sie, ob die Schmutzbeseitigung in horizontaler Lage erfolgt. Schalten Sie den Vakuüm-Mop und die Schmutzbeseitigung aus, reinigen Sie deren Metallkontakte.

Die Störungsmeldung zur Schmutzentsorgung	Lösungen
Fehler #1. Staubbeutel ist nicht montiert. Der Text "Full bag" wird angezeigt und das Symbol blinkt.	Staubbeutel an richtige Stelle montieren.
Fehler #2. Gebläse fällt aus, Der Text wird angegeben und das Symbol blinkt.	Prüfen Sie, ob der Luftkanal blockiert ist, und wenden Sie sich zur Fehlerbehebung an den Kundendienst.

FAQ/Häufig gestellte Fragen

Probleme	Lösungen
Reiniger startet nicht.	Niedriger Batteriestand. Halten Sie das Gerät in der Nähe des Ladedocks und versuchen Sie es erneut. Zu niedrige (unter 0°C) oder hohe (über 50°C) Umgebungstemperatur.
Fegenfunktion versagt.	Niedriger Batteriestand. Halten Sie das Gerät in der Nähe des Ladedocks und versuchen Sie es erneut.
Aufladung versagt.	Zu viele Barrieren rund um die automatische Schmutzbeseitigung. Platzieren Sie die automatische Schmutzbeseitigung in einem nicht abgesperrten Bereich. Die Hauptmaschine ist zu weit von der automatischen Schmutzbeseitigung entfernt. Stellen Sie die Hauptmaschine in die Nähe der automatischen Schmutzbeseitigung und versuchen Sie es erneut.

FAQ/Häufig gestellte Fragen

Probleme	Lösungen
Das Gerät funktioniert nicht ordnungsgemäß.	Schalten Sie ihn aus und dann wieder ein.
Der Reinigungsvorgang ist geräuschvoll.	Hauptbürste, Seitenbürste oder Links-/Rechtsnachlauf ist durch Fremdkörper beschädigt. Schalten Sie die Maschine aus und entfernen Sie den Fremdkörper.
Die Reinigungsleistung verschlechtert sich oder der Staub fällt ab.	Die Schmutzbeseitigung ist voller Staub. Bitte entleeren Sie den Sammler. Die Filterkomponente ist blockiert. Bitte reinigen Sie ihn. Die Hauptbürste ist durch einen Fremdkörper beschädigt. Bitte reinigen Sie die Hauptbürste.
Die Wi-Fi-Verbindung ist nicht verfügbar.	Schwache Wi-Fi-Signale. Stellen Sie sicher, dass der Roboter die Wi-Fi-Signale richtig erfasst. Wi-Fi-Verbindung schlägt fehl. Setzen Sie die Wi-Fi-Verbindung zurück, laden Sie die neueste APP herunter und versuchen Sie es erneut.
Breakpoint-Resümee.	Vergewissern Sie sich, dass der störungsfreie Modus nicht aktiviert ist, wodurch das Fortfahren am Ausbruchspunkt deaktiviert wird. Das Fortfahren am Breakout-Point ist nicht möglich, wenn das Gerät geladen wird.

Problem	Lösungen
Der Vakuum-Mop kehrt nach einer Festpunkt-Reinigung oder Verschiebung nicht zur automatischen Schmutzbeseitigung zurück.	Da der Vakuum-Mop nach einer Festpunkt-Reinigung oder nach einer Verschiebung um eine große Entfernung wieder eine Karte erzeugt, kann es vorkommen, dass er die automatische Schmutzbeseitigung zum Aufladen nicht findet. In einem solchen Fall stellen Sie das Gerät manuell auf die Automatische Schmutzbeseitigung.
Das Aufladen schlägt fehl.	Stellen Sie sicher, dass um die automatische Schmutzbeseitigung herum genügend Platz vorhanden ist und dass sich kein Staub oder eine Verstopfung auf der Oberfläche der Elektrode der automatischen Schmutzbeseitigung befindet.
Geplante Reinigung schlägt fehl.	Stellen Sie sicher, dass das Gerät mit dem Netzwerk verbunden ist, da eine Trennung vom Netzwerk die Synchronisierung und die geplante Reinigungsaufgabe fehlschlägt.
Der Vakuum-Mop ist immer offline	Stellen Sie sicher, dass das Gerät erfolgreich mit dem Netzwerk verbunden ist und sich immer innerhalb der Wi-Fi-Abdeckung befindet.
Der Vakuum-Mop kann nicht mit dem Telefon gekoppelt werden.	Stellen Sie sicher, dass sowohl die automatische Schmutzbeseitigung als auch das Hauptgerät innerhalb der Reichweite von Wi-Fi und guten Signalen liegen, und setzen Sie dann die Wi-Fi-Verbindung für die Kopplung mit Mobiltelefon zurück, indem Sie die Anweisungen im Handbuch befolgen.

Ограничения работы

- Этот продукт следует использовать только для очистки поверхности земли в жилом доме, но не на открытом воздухе, на другой поверхности (например, на диване), а также в коммерческих или промышленных помещениях.
 - Не используйте этот продукт в помещениях без ограждений, таких как дуплекс, открытый балкон и верхняя часть мебели.
 - Не используйте этот продукт при температуре выше 40 °C или ниже 0 °C или на поверхности земли с любой жидкостью или вязким веществом.
 - Перед эксплуатацией этого продукта, уберите все провода/кабели с поверхности земли.
 - Удалите все хрупкие предметы и всякие всякие предметы с поверхности земли, такие как ваза или полиэтиленовый пакет, чтобы избежать ударов и повреждений основной машиной.
 - Не позволяйте лицам с физическими, психическими или чувственными расстройствами (включая детей) использовать или управлять этим продуктом.
 - Не позволяйте детям играть на основном приборе. Не подпускайте детей или домашних животных к основному прибору во время работы.
 - Не ставьте какие-либо предметы и не садитесь на основной прибор, который неподвижен или движется.
 - Не используйте этот продукт для чистки любых горящих предметов (например, окурка сигареты).
 - Не используйте этот продукт для чистки ковров.
 - Не используйте этот продукт для всасывания твердых или острых предметов, таких как металлолом, стекло или железный гвоздь.
 - Не держите этот продукт за защитную крышку лазерного радара в качестве ручки.
- Обязательно очищайте основную машину и зарядную док-станцию только тогда, когда это изделие выключено или источник питания отключен.
- Не разбрызгивайте какие-либо жидкости на этот продукт, за исключением мусоросборника, который может быть очищен.
 - Не переворачивайте основную машину и не ставьте лазерный радар на землю.
 - Не используйте пылесос для чистки ковра.

- Используйте этот продукт, следуя инструкциям или руководству по быстрому запуску. Пользователь несет ответственность за любые убытки или травмы, возникшие в результате неправильного использования.

Аккумулятор и зарядка

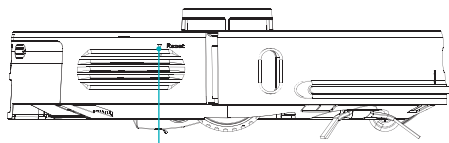
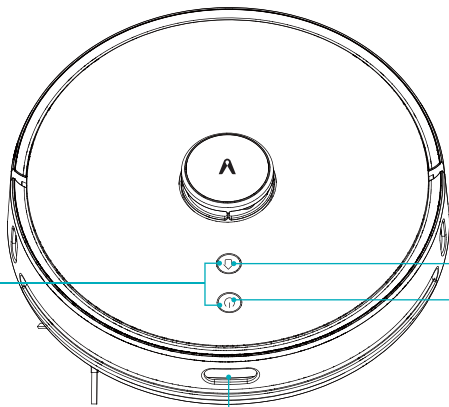
- Не используйте сторонние батареи, адаптер питания и док-станцию для зарядки.
- Не используйте никакие непerezаряжаемые батареи.
- Не разбирайте, не ремонтируйте, не устанавливайте аккумулятор или док-станцию для зарядки.
- Не размещайте зарядную док-станцию рядом с источниками тепла, например, радиатором отопления, и не используйте влажную ткань или жидкость для очистки каких-либо частей этого продукта.
- Не выбрасывайте отработанные батареи случайным образом. Рекомендуется передать его в специализированное агентство.
- При транспортировке этого продукта обязательно выключите его и используйте оригинальную упаковочную коробку для защиты.
- Если это изделие не используется в течение длительного времени, зарядите аккумулятор до полного уровня и храните его в сухом и прохладном месте. Заряжайте его не реже одного раза в месяц, чтобы не повредить аккумулятор.
- Используйте подходящий инструмент для извлечения батареи. Сначала открутите винт на нижней крышке, а затем снимите крышку, отсоедините соединительную клемму аккумулятора и выньте аккумулятор. Прежде чем утилизировать робота, вы должны вынуть из него аккумулятор. При извлечении аккумулятора робот должен быть выключен.

Этот продукт соответствует стандарту лазерной безопасности класса 1 согласно IEC60825-1: 2014 и не генерирует опасное для человека лазерное излучение.

Инструкция продукции

Конфигурация сети

- Когда робот включен, одновременно нажмите и удерживайте кнопки «⏸» и «🏠» в течение 5 секунд, до тех пор пока не раздастся голосовая подсказка, а затем отпустите их, чтобы активировать конфигурацию сети.
Когда робот включен, одновременно нажмите и удерживайте клавиши «⏸» и «🏠» в течение 10 секунд, до тех пор пока не раздастся голосовая подсказка, и удерживайте клавиши в течение 10 секунд, чтобы завершить восстановление до заводских настроек.



🏠 интеллектуальная зарядка

- Кратковременно нажмите кнопку, чтобы начать интеллектуальную подзарядку. Светодиодный индикатор продолжает медленно мигать желтым цветом, указывая на зарядку / низкий уровень заряда батареи. Мигает желтым цветом, указывая на подзарядку.

⏸ Включение/выключение Глобальное подметание

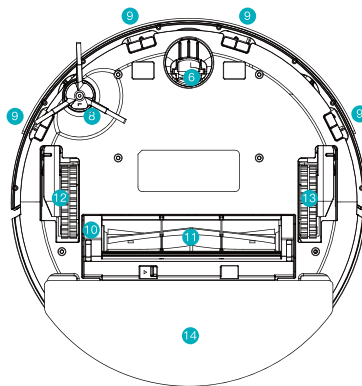
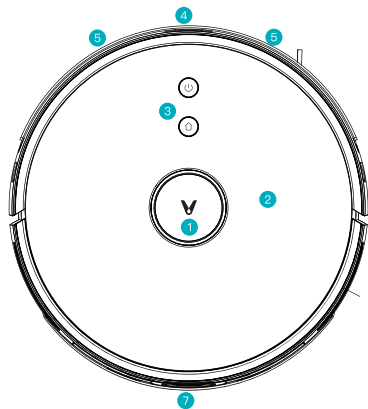
- Короткое нажатие на кнопку запускает / прекращает подметание.
- Нажмите и удерживайте кнопку в течение 3 секунд, чтобы включить / выключить.
- Индикатор постоянно горит синим цветом, указывая на успешное соединение/нормальную работу/состояние ожидания. Мигает синим цветом, указывая на включение. Медленно мигает синим цветом, указывая на обновление / восстановление прошивки до заводских настроек. Быстро мигает синим цветом, указывая на конфигурацию сети. Мигает красным цветом, указывая на низкий уровень заряда батареи. Быстро мигает красным цветом, указывая на неисправность в работе. Светодиодный индикатор гаснет, указывая на отключение питания / сон.

ИК-датчик

Кнопка сброса: для принудительного выключения.

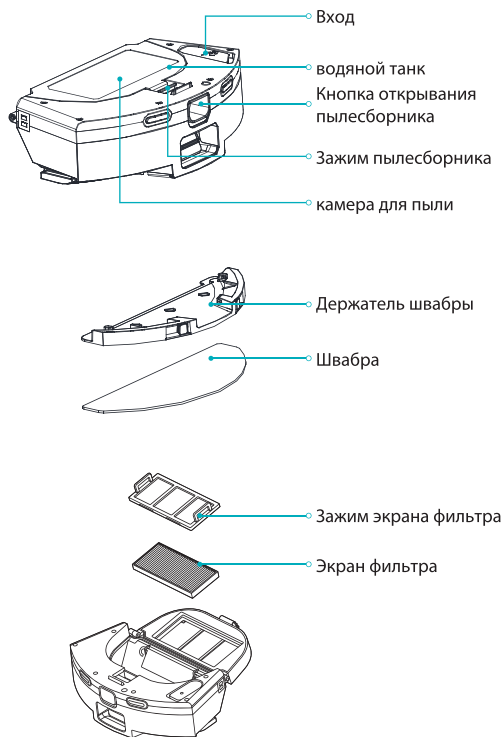
- Короткое нажатие (менее 3 секунд) для выключения.

Основной прибор и сенсор



- | | |
|---------------------------|---|
| ① Лазерный радар | ⑧ Боковая щетка |
| ② Покрытие поверхности | ⑨ Датчик обрыва |
| ③ Кнопка | ⑩ Крышка основной щетки |
| ④ ИК-датчик | ⑪ Вращающаяся щетка |
| ⑤ Датчик столкновения | ⑫ Левый револьвер |
| ⑥ Универсальный револьвер | ⑬ Правый револьвер |
| ⑦ Зарядный электрод | ⑭ Встроенный мусоросборник/резервуар для воды |

2-в-1 Пылесборник с резервуаром для воды



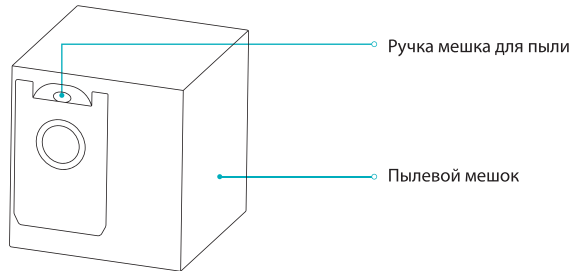
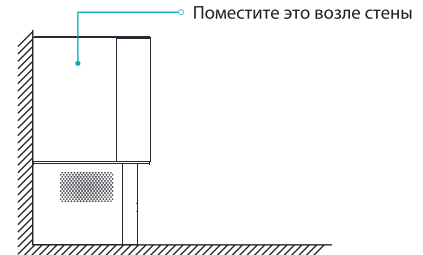
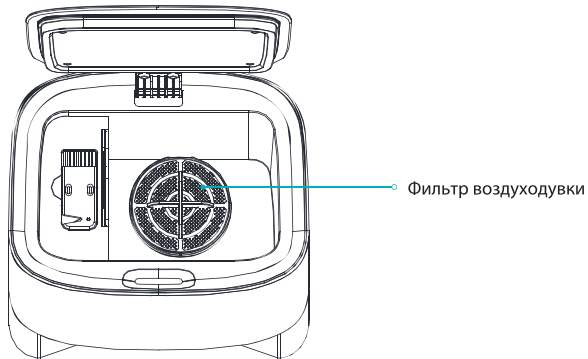
Автоматический мусоросборник (два в одном для сбора пыли и зарядки)



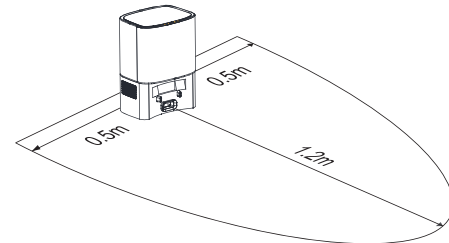
Инструкции по установке

1. Установка мусоросборника

(1) Поместите мусоросборник на ровный пол у стены, соедините штепсель в подходящее гнездо и включите источник питания.



(2) Убедитесь, что в пределах 1,2 м спереди и 0,5 м с обеих сторон нет препятствий.




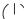
Мешок для пыли (включая мусоросборник).

Примечание: Пылевой мешок является расходным материалом и не подлежит повторному использованию. Регулярно заменяйте его.

Инструкции по эксплуатации

1. включить / выключить

Нажмите и удерживайте кнопку питания «» в течение 3 секунд, чтобы включить/выключить машину. Светодиодный индикатор питания медленно мигает в течение 4 секунд, затем горит постоянно синим цветом, и пылесос находится в режиме ожидания. При запуске раздается голосовой сигнал.

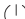
Когда пылесос не двигается, нажмите и удерживайте кнопку питания «» в течение 3 секунд, чтобы выключить его.

Питание светодиодов гаснет, и раздается голосовая подсказка.

Пылесос перейдет в спящий режим, если будет бездействовать более 20 минут. В режиме сна, кратковременное нажатие любой кнопки разбудит его.

Советы: Во время зарядки, робот не может выключиться или заснуть.

2. Подметание

В включенном статусе, кратковременно нажмите кнопку «» с голосовой подсказкой «начать глобальную очистку».

Во время очистки, кратковременно нажмите кнопку «», чтобы прекратить подметание.

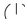
Советы: При низком уровне заряда батареи функция подметания не может быть запущена.

3. Автоматическая / ручная подзарядка

По окончании подметания, раздается голосовая подсказка «Очистка завершена и начата зарядка», и пылесос начнет подзарядку.

В случае низкого уровня заряда батареи во время подметания, пылесос начнет заряжаться автоматически.

4. Наполните бак или наполовину очистите швабру

Кратковременное нажатие кнопки «» останавливает пылесос; снимите модуль протирки, наполните резервуар или очистите швабру; повторно установите модуль для уборки и снова коротко нажмите кнопку, чтобы возобновить подметание.

5. конфигурация сети и обновление прошивки

Загрузите приложение, отсканировав QR-код на устройстве, и сбросьте настройки Wi-Fi, следуя советам в приложении.

Вы можете запросить или обновить прошивку в приложении. Во время обновления убедитесь, что машина заряжается, уровень заряда батареи не ниже 60%. Подробнее см. Инструкцию в Приложении.

После загрузки настройте сеть, следуя советам в приложении. После подключения устройства к сети вы можете удаленно запустить подметание или очистку по расписанию в приложении.

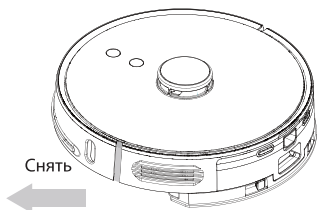
6. Неисправность

В случае неисправности пылесоса подаются звуковые и визуальные сигналы тревоги, при этом светодиодный индикатор питания мигает красным цветом. Дополнительные сведения см. в разделе Поиск и устранение неисправностей.

В случае неисправности пылесос автоматически перейдет в спящий режим при простое в течение 10 минут.

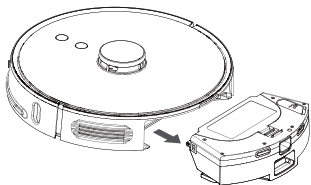
Инструкции по эксплуатации

(1) Положите пылесос на ровный пол в помещении. Снимите ограничительный предохранитель с обеих сторон бампера.

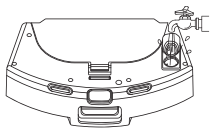


(2) Нажмите кнопку Отсек пылесборника, чтобы снять пылесборник 2-в-1 с резервуаром для воды.

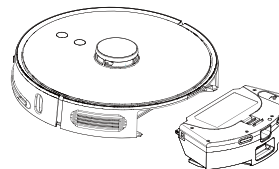
При первоначальном использовании в баке может быть очень мало воды, которая является остаточным тестовым образцом и находится в нормальном состоянии, и вы можете спокойно ее использовать.



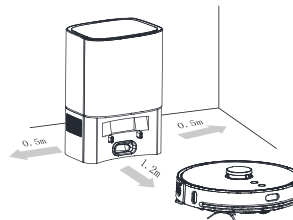
(3) Смочите швабру водой, прикрепите ее к волшебной ленте и затяните. Залейте воду через входное отверстие и закрутите крышку.



(4) Установите пылесборник 2-в-1 с резервуаром для воды в машину.



(5) Нажмите и удерживайте кнопку «(1)» в течение 3 секунд, чтобы включить пылесос, а затем коротковременно нажмите кнопку «(2)», чтобы зарядить ее. После полной зарядки пылесос будет готов к работе.



Примечание:

1. Робот вернется на базу для удаления пыли после работы более 1 минуты и автоматически начнет процесс уборки. Во время сбора пыли на экране мигает зеленая стрелка.
2. Робот не может быть включен в случае низкого уровня заряда батареи. В таком случае, сначала его зарядите.
3. В случае низкого уровня заряда во время подметания, робот перейдет к зарядной док-станции для автоматической подзарядки, а затем вернется в точку прерывания, чтобы возобновить подметание.

Как подключиться к Wi-Fi

Этот продукт работает с приложением Mi Home/Xiaomi Home *. Управляйте своим устройством и взаимодействуйте с ним и с другими умными домашними устройствами с помощью приложения Mi Home/Xiaomi Home.



Сканируйте QR-код, чтобы загрузить и установить приложение. Если приложение уже установлено, вы будете перенаправлены на страницу настройки подключения. Или найдите "Mi Home/Xiaomi Home" в магазине приложений, чтобы загрузить и установить его.

Откройте приложение Mi Home/Xiaomi Home, нажмите «+» в правом верхнем углу, а затем следуйте инструкциям по добавлению своего устройства.

* В Европе (за исключением России) приложение называется Xiaomi Home. Название приложения, отображаемое на вашем устройстве, следует использовать по умолчанию.

Примечание:

Версия приложения могла быть обновлена, пожалуйста, следуйте инструкциям, основанным на текущей версии приложения.

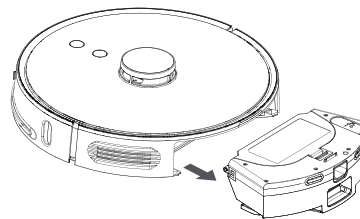
Сброс Настроек Wi-Fi

Когда ваш маршрутизатор заменен или пароль Wi-Fi изменен, вы должны сбросить настройки Wi-Fi, удерживая обе клавиши "⏻" и "⏮" в течение 5 секунд, пока индикатор Wi-Fi не начнет мигать синим цветом и не появится голосовая подсказка, указывающая на то, что Настройки Wi-Fi успешно сброшены.

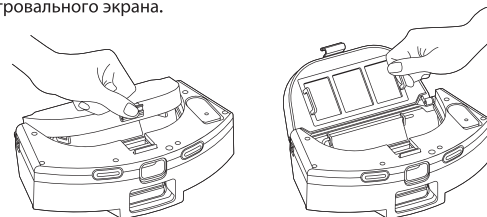
Обслуживание

Пылесборник 2-в-1 с резервуаром для воды

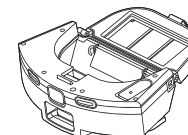
(1) Нажмите кнопку отсека пылесборника и вытащите бак, чтобы снять его.



(2) Отпустите зажим пылевого отсека, чтобы снять зажим фильтровального экрана.



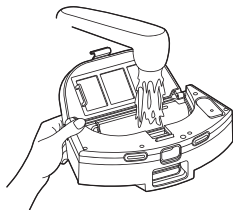
(3) Снимите сетку фильтра.



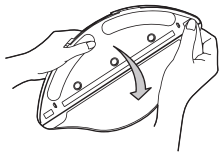
(4) Очистите сетку фильтра и зажим с помощью щеточки для очистки.



(5) Наполните мусоросборник водой, встряхните его и затем опустошите. Повторяйте этот процесс, пока он не станет чистым.



(6) Переверните бак и снимите швабру для очистки или замены ее.



Подсказки:

Регулярно очищайте швабру, так как загрязненная швабра ухудшит подметание.

Обязательно снимите швабру и очистите, а затем высушите, скручивая. Не очищайте его, когда он установлен на бак, иначе сточные воды могут заблокировать фильтрующий элемент.

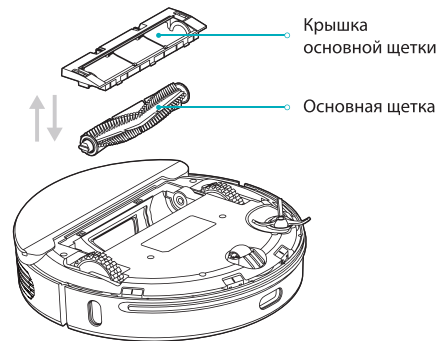
Рекомендуется заменять основную щетку каждые 6-12 месяцев, чтобы обеспечить надлежащую очистку.

Очистка основной щетки

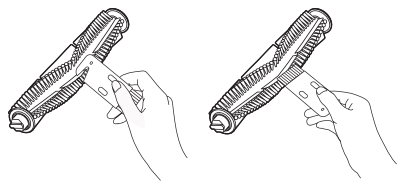
Основная щетка является расходным материалом и требует еженедельной очистки. Рекомендуется заменять основную щетку каждые 6-12 месяцев, чтобы обеспечить надлежащую очистку.

(1) Переверните очиститель, снимите крышку основной щетки и щетку, нажав на зажим на крышке.

Примечание. Избегайте столкновений при переворачивании, чтобы не повредить лазерный радар.



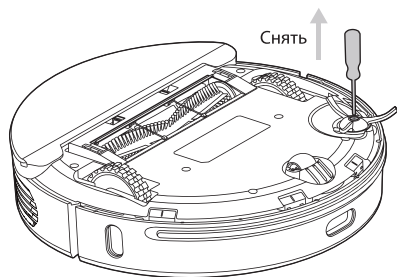
(2) Срежьте волосы вокруг щетки ножом и очистите основную щетку другим концом ножа.



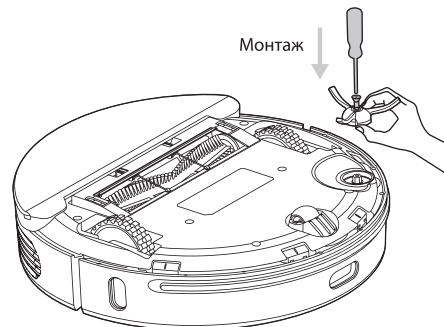
(3) Установите основную щетку и крышку главной щетки и зафиксируйте зажим.

Очистить / заменить боковую щетку

(1) С помощью отвертки снимите винты, фиксирующие боковую щетку, и снимите боковую щетку.



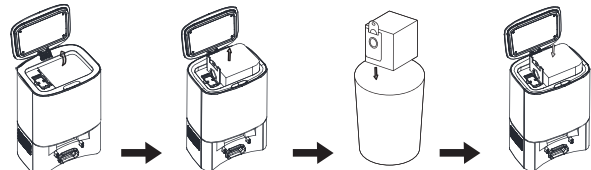
(2) Установите боковую щетку после очистки или замените боковую щетку.



Советы: рекомендуется заменять боковую щетку каждые 3-6 месяцев, чтобы обеспечить надлежащую очистку.

Замена мешка для пыли

В случае, если значок ПОЛНЫЙ МЕШОК ДЛЯ ПЫЛИ мигает оранжевым цветом на экране или в приложении появляется сообщение о заполнении мешка для пыли, немедленно замените мешок. Когда мешок для пыли находится в нормальном режиме работы, значок продолжает мигать зеленым и белым цветами.



Откройте верхнюю крышку

Снимите мешок для пыли, потянув ручку мешка вверх.

Снимите мешок для пыли.

Установите новый мешок для пыли и снова установите крышку.

Очищение пылевого канала

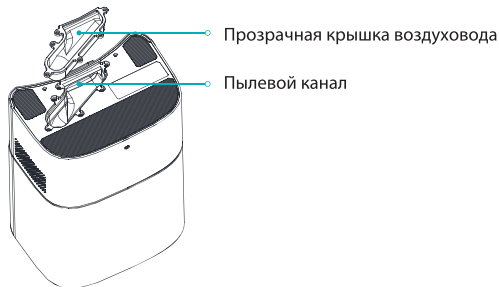
В случае, если значок ПОЛНЫЙ МЕШОК ДЛЯ ПЫЛИ по-прежнему горит оранжевым цветом даже после замены мешка, рекомендуется отсоединить шнур питания, перевернуть зарядную батарею вверх дном, чтобы проверить, не заблокирован ли пылевой канал посторонними предметами.

Если засоряется пылеуловитель, снимите крышку воздуховода с помощью отвертки, как показано ниже.

Удалите посторонние предметы.

Примечание: не разбирайте его с чрезмерным усилием.

Закончив чистку, снова установите его на место.



Обслуживание батареи

Пылесос содержит в себе встроенный литий-ионный аккумулятор высокой производительности. Для поддержания нормальной работы аккумулятора регулярно заряжайте его.

Если пылесос не используется в течение длительного периода, выключайте его и заряжайте каждые три месяца, чтобы избежать повреждений из-за чрезмерной разрядки.

Очистка датчика

Очистка датчика рекомендуется еженедельно очищать каждый датчик чистой и мягкой тканью для обеспечения надлежащей очистки.

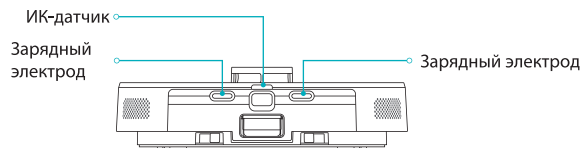
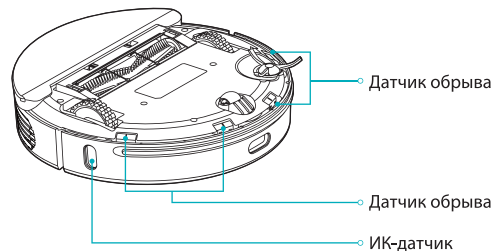
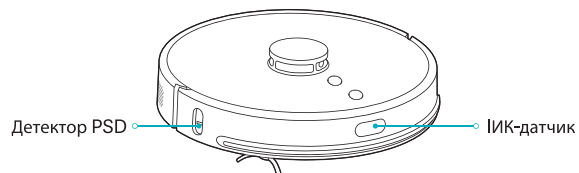
Робот-пылесос:

Датчик обрыва × 4

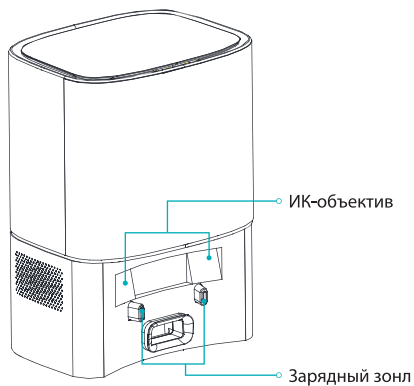
ИК-датчик × 3

Зарядный электрод × 2

Детектор PSD × 1



Автоматический мусоросборник:
ИК-объектив × 2
Зарядный зонл × 2



Характеристики

Основной прибор

Название	Пылесос Viomi Robot Vacuum S9-Автоматический мусоросборник
Тип продукта	V-RVCLMD28A / V-RVCLMD28B
Размеры	φ 350mm×98mm
Номинальное напряжение	14.4V $\overline{\text{---}}$
Оценка мощности	50W
Емкость батареи	5200mAh
Беспроводное соединение	Wi-Fi IEEE 802.11b/g/n 2.4GHz

Автоматический мусоросборник

Тип продукта	V-ADD26A/V-ADD26B
Номинальная мощность	950W
Номинальный входной сигнал	220-240V~50/60Hz
Номинальный выходной сигнал	24V $\overline{\text{---}}$ 1.5A
Номинальная частота	50/60Hz
Размеры	356×250×193mm

Этот продукт соответствует стандарту лазерной безопасности класса 1 согласно IEC60825-1: 2014 и не генерирует опасное для человека лазерное излучение.

Поиск неисправностей

Сообщение о неисправности	Решение
Ошибка №1. Убедитесь, что лазерный дальномер не заблокирован.	Проверьте или удалите все посторонние вещества вокруг лазерного радара, или переместите пылесос и перезагрузите его.
Ошибка №2. Очистите датчик обрыва и переместите пылесос.	Очистите датчик обрыва и попробуйте еще раз (подробности см. В руководстве пользователя).
Ошибка №3. Обнаружено сильное магнитное поле. Переместите пылесос и попробуйте еще раз.	Переместите пылесос и повторите попытку.
Ошибка №4. Проверьте датчик столкновения и удалите с него все посторонние предметы.	Попробуйте нажать на бамперную планку и удалить все посторонние предметы, а затем снова запустить пылесос.
Ошибка №5. Пылесос находится при аномальной температуре. Прекратите работу до тех пор, пока не восстановится нормальная температура.	Пылесос находится в слишком высокой или низкой температуре. Прекратите работу до тех пор, пока не восстановится нормальная температура.
Ошибка №6. Сбой зарядки. Очистите зарядный контакт.	Проверьте адаптер или проверьте находится ли мусоросборник в горизонтальном положении. Выключите пылесос и мусоросборник, очистите их металлические контакты.

Подсказка о неисправности мусоросборника	Решение
Ошибка №1. Не установлен мешок для пыли. Отображается текст «Полный мешок» и значек мигает.	Установите мешок для пыли на место.
Ошибка №2. Сбой воздухоудовки, отображается текст и мигает значок.	Проверьте, не заблокирован ли воздухоудов, и обратитесь в сервисную службу для устранения неисправностей.

Вопрос-Ответ

Проблема	Решение
Очиститель не запускается.	Низкий уровень заряда батареи. Держите прибор близко к зарядной док-станции и попробуйте еще раз. Слишком низкая (ниже 0 °C) или высокая (выше 50 °C) температура окружающей среды
Функция подметания не работает.	Низкий уровень заряда батареи. Держите прибор близко к зарядной док-станции и попробуйте еще раз.
Функция зарядки не работает.	Слишком много препятствий вокруг автоматического мусоросборника. Разместите автоматический мусоросборник на беспрепятственном месте. Основная машина находится слишком далеко от автоматического мусоросборника. Поместите основную машину рядом с автоматическим мусоросборником и попробуйте еще раз.

Вопрос-Ответ

Проблема	Решение
Прибор работает неправильно.	Выключите его, а затем снова включите.
Во время уборки шумно.	Основная щетка, боковая щетка или левый/правый ролик повреждены посторонним предметом. Выключите машину и извлеките посторонний предмет.
Качество очистки ухудшается, или пыль падает.	В мусоросборнике полно пыли. Пожалуйста, очистите коллектор. Компонент фильтра заблокирован. Пожалуйста, очистите его. Основная щетка повреждена посторонним предметом. Очистите основную щетку.
Wi-Fi соединение недоступно.	Слабый сигнал Wi-Fi. Убедитесь, что робот находится в зоне действия сигнала Wi-Fi. Соединение Wi-Fi не работает. Сбросьте соединение Wi-Fi, загрузите последнюю версию приложения и попробуйте еще раз.
Возобновление точки прерывания.	Убедитесь, что режим отсутствия помех не активирован, это не позволит продолжить работу в точке прорыва. Движение к точке разрыва недоступно во время зарядки машины.
Пылесос не возвращается в режим автоматического мусоросборника после фиксированной точки очистки или перемещения.	Поскольку пылесос воссоздает карту после уборки с фиксированной точкой или перемещения на большое расстояние, она может не определить местонахождение автоматического мусоросборника для зарядки. В таком случае, поместите машину на автоматическом мусоросборнике вручную.

Проблема	Решение
Сбой зарядки.	Убедитесь, что достаточно свободного места вокруг автоматического мусоросборника, а на поверхности электрода устройства автоматического мусоросборника нет пыли или засоров.
Запланированная очистка не выполняется.	Убедитесь, что машина подключена к сети, так как отключение от сети приведет к сбою синхронизации и запланированной задачи очистки.
Пылесос всегда выключен.	Убедитесь, что устройство успешно подключено к сети и всегда находится в зоне действия Wi-Fi.
Пылесос не может быть сопряжен с мобильным телефоном.	Убедитесь, что устройство автоматического мусоросборника и основная машина находятся в зоне действия Wi-Fi и хорошего сигнала, а затем сбросьте соединение Wi-Fi для сопряжения, следуя инструкциям в руководстве.

Restricții de funcționare

- Acest produs trebuie utilizat numai pentru curățarea suprafeței podelelor din interiorul locuinței rezidențiale, nefiind folosit pentru exterior, alte suprafețe (de ex. canapele) sau în mediu comercial ori industrial.
- Nu utilizați acest produs în mediu fără bară de protecție, cum ar fi duplex, balcon deschis și partea superioară a mobilierului.
- Nu utilizați acest produs la temperaturi mai mari de 40 C sau mai mici de 0 C sau pe suprafețe cu substanțe lichide ori vâscoase.
- Înainte de a folosi acest produs, îndepărtați orice cabluri sau fire din calea lui.
- Îndepărtați orice articol fragil sau obiecte diverse de pe suprafața, cum ar fi vaza sau punga de plastic, pentru a evita impactul și deteriorarea acestuia de către aparatul principal.
- Nu permiteți persoanelor cu tulburări fizice, mentale sau senzitive (inclusiv copii) să utilizeze sau să opereze acest produs.
- Nu permiteți copiilor să se joace cu aparatul principal. Țineți copiii și animalele de companie departe de aparatul principal în timpul funcționării.
- Nu așezați niciun obiect și nu stați pe apartul principal staționar sau în mișcare.
- Nu utilizați acest produs pentru a curăța orice obiect care arde (de exemplu, capătul țigării arzânde).
- A nu se folosi acest produs pentru a curăța covoare.
- Nu utilizați acest produs pentru a aspira orice obiect dur sau ascuțit, cum ar fi resturi, sticlă și cuie de fier.
- Nu manipulați acest produs de mânerul capacului protector al radarului laser.

Asigurați-vă că ați curățat aparatul principal și stația de încărcare numai atunci când acest produs este oprit sau sursa de alimentare este deconectată.

- A nu se uda cu niciun fel de lichid acest produs cu excepția înlăturării murdăriei, care se poate spăla.
- Nu puneți aparatul principal cu capul în jos și nu puneți radarul laser pe sol.
- A nu se folosi aspiratorul pentru a curăța covoare.
- Utilizați acest produs urmând instrucțiunile sau ghidul de pornire rapidă. Utilizatorul va fi responsabil pentru orice pierdere sau vătămare rezultată din utilizarea necorespunzătoare.

Baterie și încărcare

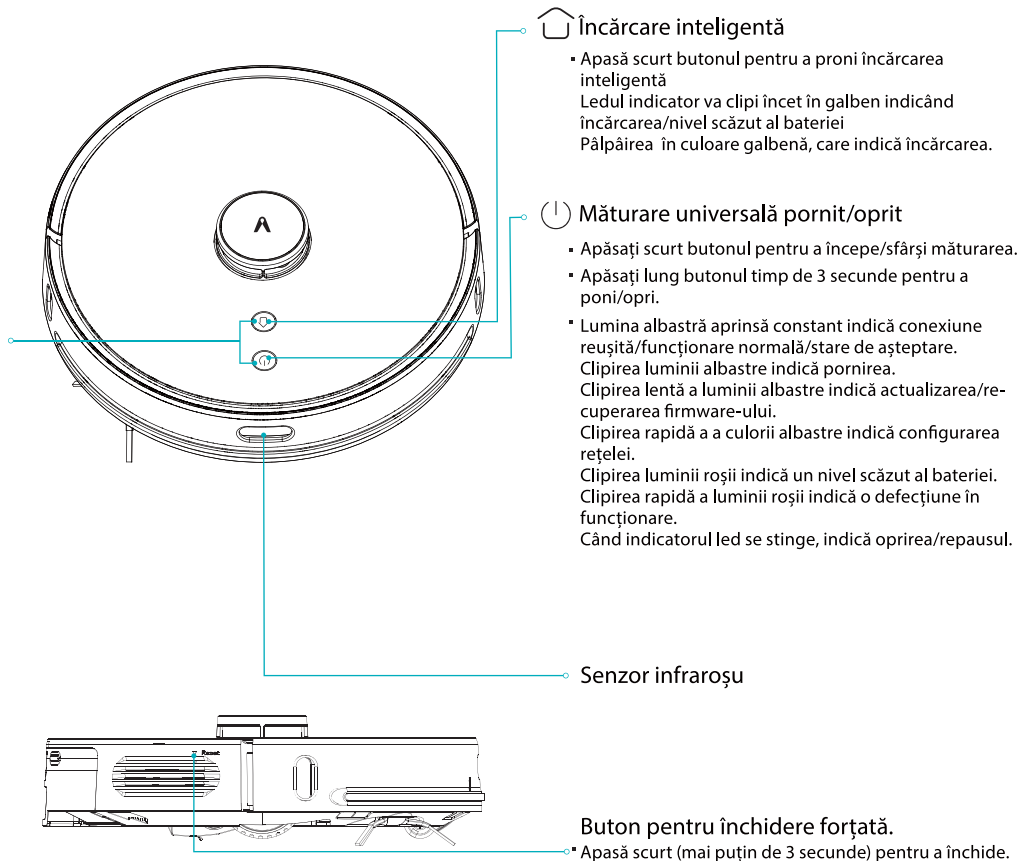
- Nu utilizați baterii, adaptoare de alimentare și stații de încărcare care nu sunt originale.
- Nu utilizați nicio baterie de unică utilizare.
- Nu demontați, nu reparați și nu montați bateria sau stația de încărcare
- Nu amplasați stația de încărcare aproape de sursa de căldură cum ar fi radiatorul și nici nu folosiți cârpa umedă sau lichide pentru a curăța nicio parte a acestui produs.
- Nu aruncați bateria uzată la întâmplare. Se recomandă ca o agent specializat să o elimine.
- Pentru a transporta acest produs, asigurați-vă că îl opriți și utilizați cutia de ambalare originală pentru a asigura protecția acestuia.
- Dacă acest produs trebuie să rămână inactiv pentru o lungă perioadă de timp, încărcați bateria la nivel maxim și depozitați-o în locuri uscate și reci. Reîncărcați-o cel puțin lunar pentru a evita deteriorarea bateriei.
- Utilizați un instrument specific pentru a scoate bateria. Mai întâi scoateți șurubul capacului inferior, apoi scoateți capacul, deconectați borna de conectare a bateriei și scoateți bateria. Înainte de a arunca robotul, trebuie să scoateți bateria din acesta. La scoaterea bateriei, robotul trebuie să fie oprit.

Acest produs este în conformitate cu standardul de siguranță laser Clasa 1 conform IEC60825-1: 2014 și nu va genera radiații laser periculoase pentru om.

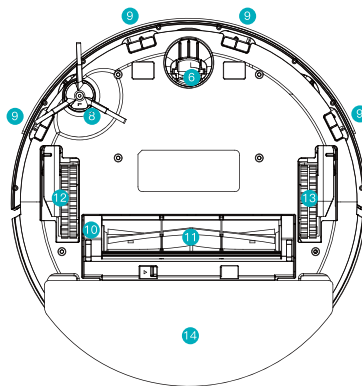
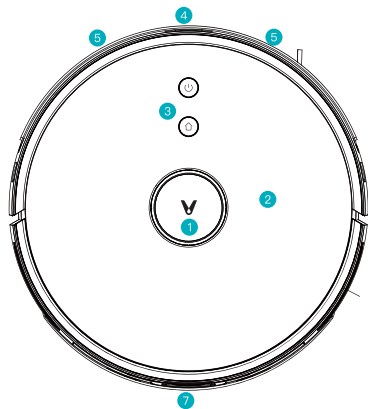
Prezentare produs

Configurare rețea

- Când robotul este pornit apăsați simultan și mențineți apăsați tastele „⏻” și „⏶” timp de 5 secunde până când se aude un mesaj vocal, apoi eliberați-le pentru a activa configurația rețelei.
Când robotul este pornit apăsați simultan și mențineți apăsați tastele „⏻” și „⏶” timp de 10 secunde până când se aude un mesaj vocal; continuați să mențineți apăsați tastele timp de 10 secunde pentru a finaliza revenirea la parametrii inițiali din fabrică.

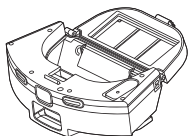
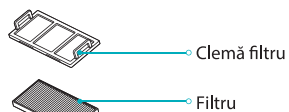
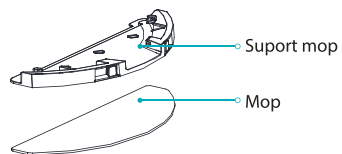
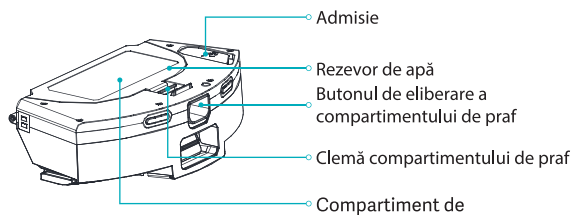


Mașina principală și senzorul

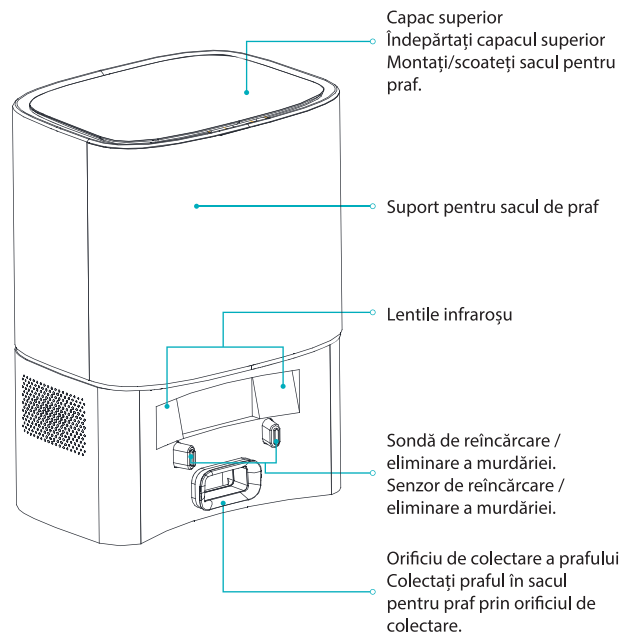


- ① Radar laser
- ② Suprafață acoperită
- ③ Buton
- ④ Senzor infraroșu
- ⑤ Senzor de coliziune
- ⑥ Rotiță universală
- ⑦ Electro de încărcare
- ⑧ Perie laterală
- ⑨ Senzor de urcare
- ⑩ Perie principală
- ⑪ Perie rotitoare
- ⑫ Rotiță stânga
- ⑬ Rotiță dreapta
- ⑭ Rezervor integrat de eliminare a murdăriei/apă

Compartiment de praf 2 în 1 cu rezervor de apă



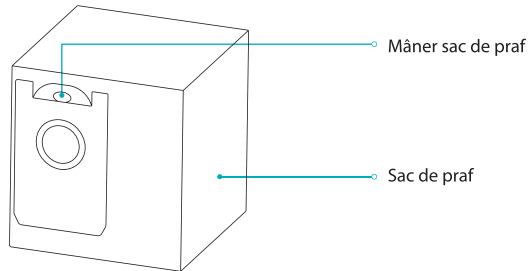
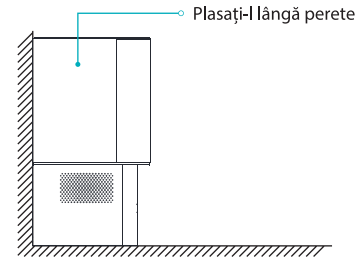
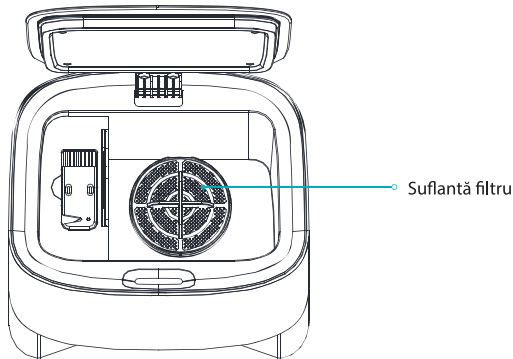
Eliminarea automată a murdăriei (2 în 1 pentru colectarea și încărcarea prafului)



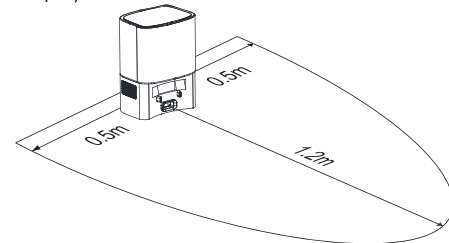
Instrucțiuni de instalare

1. Instalați eliminarea murdăriei

(1) Așezați eliminarea murdăriei lângă perete și podea plană, apoi conectați ștecherul la priză și porniți alimentarea.



(2) Fiți sigur că nu există niciun obstacol la mai puțin de 1,2 m în față și 0,5 m în ambele părți



Sac de praf (include eliminarea murdăriei).

Notă: Geanta pentru bust este consumabilă și nu are trebui refolosită. Înlocuiți-o constant.

Instrucțiuni de operare

1. Pornit/oprit

Apăsați lung butonul de alimentare "⏻" timp de 3 secunde pentru a porni / opri mașina. Indicatorul LED de alimentare clipește încet timp de 4 secunde și apoi se aprinde constant în culoare albastră, iar curățătorul este în așteptare. La pornire există un ton pentru prompt.

Când aspiratorul rămâne nemișcat, apăsați lung butonul de alimentare ""⏻"" timp de 3 secunde pentru a îl opri. LED-ul de alimentare se stinge și se aude un mesaj vocal.

Dispozitivul va intra în așteptare dacă rămâne inactiv mai mult de 20 de minute. În stare de repaus, apăsarea scurtă a butonului îl va porni.

Sfat: În timpul reincărcării, robotul nu poate fi oprit sau oprit. "

2. Măturare

"În modul pornit, apăsați scurt butonul" "⏻" ", urmat de semnalul vocal "începeți curățarea globală" ".

În timpul curățării, apăsați scurt butonul ""⏻"" pentru a opri măturarea. " Sfaturi: La nivelul scăzut al bateriei, funcția de măturare nu poate fi pornită.

3. Reîncărcare automată / manuală

„La sfârșitul măturării, se aude comanda vocală” „Curățarea terminată.

Reîncărcare” „, iar aspiratorul-mop începe reîncărcarea. În cazul unui nivel scăzut al bateriei în timpul operațiilor, aspiratorul va începe să se reîncare automat. "

4. Umpleți rezervorul sau curățați mopul la jumătatea drumului

Apăsați scurt butonul "⏻" pentru a pune aspiratorul în pauză; scoateți mopul, umpleți rezervorul sau curățați mopul; montați din nou mopul și apăsați scurt butonul din nou pentru a relua operațiunea.

5. Configurare rețea și actualizare firmware

Descărcați aplicația scanând codul QR de pe aparat și modificați WiFi-ul urmând sfaturile din aplicație.

În timpul actualizării fiți siguri că aparatul este încărcat complet sau cu un nivel al bateriei mai mare de 60%. Pentru mai multe detalii urmăriți instrucțiunile din aplicație.

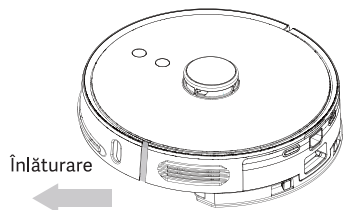
După descărcare, configurați rețeaua folosind sfaturile din aplicație. După conectarea aparatului la rețea, puteți începe măturarea sau să programați o curățare cu ajutorul aplicației.

6. Неисправность

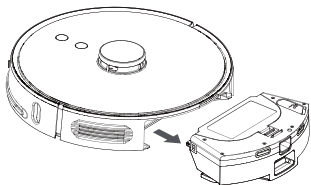
„În caz de defecțiune la aspirator se vor emite alarme sonore și vizuale, iar indicatorul LED de alimentare va clipi intermitent în roșu. Pentru mai multe detalii, consultați Rezolvarea problemelor. În caz de defecțiune, aspiratorul va intra automat în modul așteptare după 10 minute.

Instrucțiuni de operare

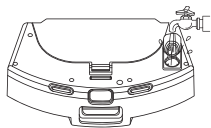
(1) Așezați aspiratorul pe podeaua plană, în interior. Îndepărtați limitatorul de protecție pe ambele părți a bării de protecție.



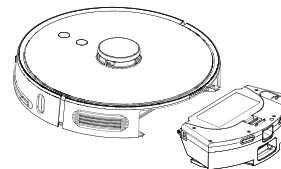
(2) Apăsăți butonul de eliberare al compartimentului de praf 2 în 1 cu rezervor de apă pentru a-l scoate. Pentru prima utilizare poate fi puțină apă în rezervor, fiind un eșantion de testare rezidual și în stare normală, ce poate fi folosit.



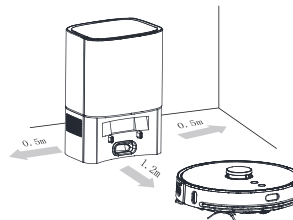
(3) Înmuiați mopul în apă, atașați-l la banda magică și strângeți-l. Injectați apă prin orificiul de intrare și strângeți capacul.



(4) Montați compartimentul de praf 2 în 1 cu rezervorul de apă în aparat.



(5) Apăsăți lung butonul "⏻" timp de 3 secunde pentru a porni aspiratorul și apoi apăsați scurt butonul "⏮" pentru a-l reîncărca. Aspiratorul va fi gata de funcționare atunci când va fi reîncărcat complet.



Notă:

1. Robotul se va întoarce la baza de eliminare a murdăriei după ce va funcționa mai mult de 1 minut și va începe automat procesul de curățare. În timpul colectării prafului, o săgeată verde va clipi pe ecran.
2. Robotul nu poate fi pornit în cazul în care nivelul bateriei este scăzut. În acest caz, mai întâi reîncărcați.
3. În cazul unui nivel scăzut al bateriei în timpul operației, robotul va merge la docul de încărcare pentru reîncărcare automată, apoi va reveni la punctul anterior pentru a relua operațiunea.

Cum să vă conectați la Wi-Fi

Acest produs funcționează cu aplicația Mi Home/Xiaomi Home *. Poți controla dispozitivul și interacționează cu alte dispozitive inteligente cu aplicația Mi Home/Xiaomi Home.



Scanați codul QR pentru a descărca și instala aplicația. Veți fi direcționat către pagina de configurare a conexiunii dacă aplicația este deja instalată sau căutați „Mi Home/Xiaomi Home” în aplicația Magazin/Store/App pentru a o descărca și instala.

Deschideți aplicația Mi Home/Xiaomi Home, atingeți „+” în partea dreaptă sus, apoi urmați instrucțiunile pentru a adăuga dispozitivul.

* Aplicația se referă la aplicația Xiaomi Home pentru Europa (cu excepția Rusiei). Numele aplicației afișate pe dispozitivul dvs. ar trebui să fie implicit.

Notă:

Este posibil ca versiunea actuală a aplicației să fi fost actualizată, vă rugăm să urmați instrucțiunile bazate pe versiunea curentă a aplicației.

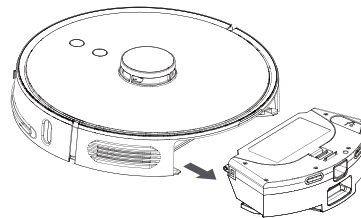
Reconfigurare WiFi

Când routerul este înlocuit sau parola WiFi este schimbată, trebuie să reconfigurați WiFi-ul menținând apăstate tastele „⏪” și „⏩” timp de 5 secunde până când indicatorul luminos WiFi clipește în culoare albastră și se se aude un mesaj vocal, indicând faptul că reconfigurarea WiFi a fost efectuată cu succes.

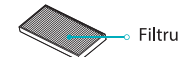
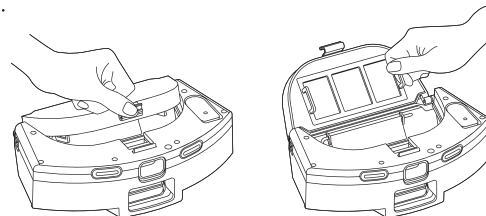
Mentenanță

Compartiment de praf 2-in-1 cu rezervor de apă

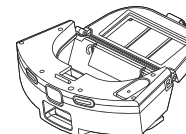
(1) Apăsați butonul de eliberare a compartimentului de praf și trageți rezervorul pentru a-l scoate.



(2) Eliberați clema compartimentului de praf pentru a scoate filtrul ecran.



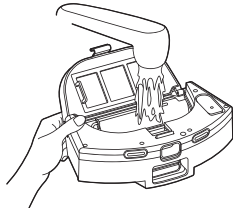
(3) Scoateți filtrul ecran.



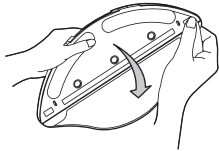
(4) Curățați filtrul și clema cu peria de curățare



(5) Umpleți dispozitivul ce cuprinde reziduurile de murdărie cu apă, scuturați și goliți. Repetați acest proces până când este curat.



(6) Întoarceți rezervorul și scoateți mopul pentru curățare sau înlocuiți-l.



Sfaturi:

Curățați mopul în mod regulat, deoarece mopul contaminat va afecta performanța de măturare.

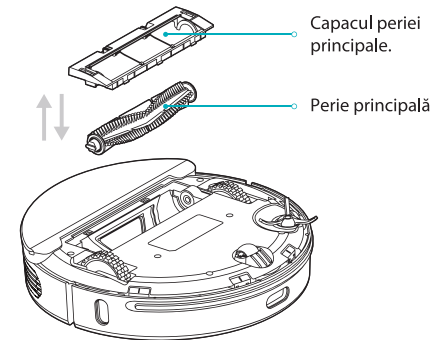
Asigurați-vă că îndepărtați mopul și îl curățați, apoi uscați-l prin răsucire. Nu îl curățați montat pe rezervor, apa reziduală putând bloca elementul filtrant. Se recomandă înlocuirea periei principale la fiecare 6-12 luni pentru a asigura o performanță ridicată la curățare.

Curățare perie principală

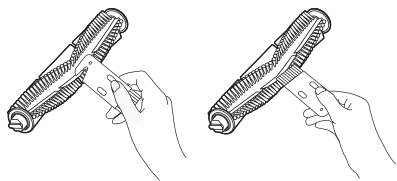
Peria principală este consumabilă și trebuie curățată săptămânal. Se recomandă înlocuirea periei principale la fiecare 6-12 luni pentru a asigura o performanță ridicată curățare.

(1) Întoarceți aspiratorul și apăsați clema de pe capac pentru a îndepărta capacul principal al periei și peria.

Notă: Evitați să loviți aparatul atunci când îl întoarceți pentru a nu deteriora radarul laser.



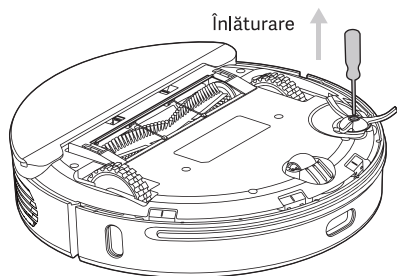
(2) Tăiați firele de păr din jurul periei cu cuțitul și curățați peria principală cu celălalt capăt al cuțitului.



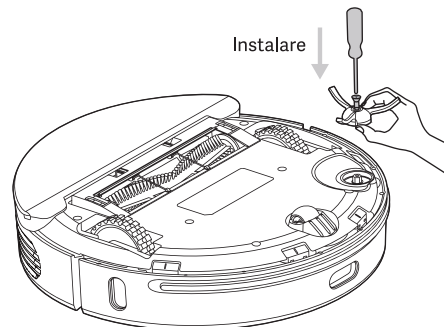
(3) Montați peria principală și capacul periei principale, apoi blocați clema.

Curățați / înlocuiți peria laterală

(1) Scoateți șuruburile care fixează peria laterală cu șurubelnița și scoateți peria laterală.



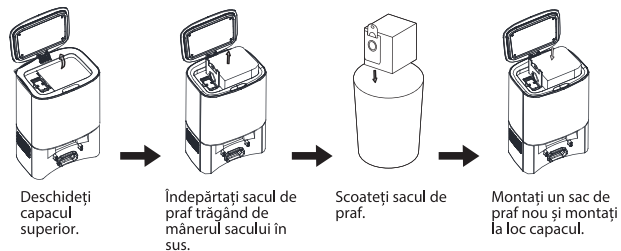
(2) Montați peria laterală după curățare sau înlocuiți-o.



Sfaturi: Se recomandă înlocuirea periei laterale la fiecare 3-6 luni pentru a asigura o performanță ridicată la curățare.

Înlocuiți sacul de praf

În cazul în care pictograma SAC GUNOI PLIN clipește în culoarea portocalie pe ecran sau în aplicație este afișat un mesaj atunci când sacul de praf este plin, vă rugăm să îl înlocuiți imediat. Când sacul de praf este în funcțiune normală, pictograma continuă să clipească în culori verzi și albe.



Curățați canalul de praf

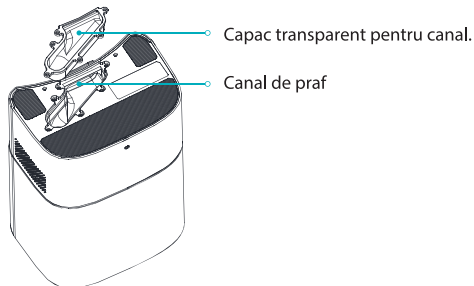
În cazul în care pictograma SAC GUNOI PLIN este încă clipește în culoare portocalie după înlocuirea pungii, se recomandă să deconectați fișa de alimentare, întoarceți pila de încărcare cu capul în jos pentru a verifica dacă conducta de praf este blocată de orice materie străină.

Dacă canalul de praf este blocat, scoateți capacul cu o șurubelniță așa cum se arată mai jos.

Îndepărtați orice material străin.

Notă: Nufolosiți forță excesivă la demontare.

După terminarea curățării, montați-l la loc.



Întreținerea bateriei

„Aspiratorul conține o baterie reincărcabilă litiu-ion de înaltă performanță incorporată. Pentru a menține o performanță adecvată a bateriei, păstrați-o reincărcată în mod regulat.

Dacă aspiratorul este lăsat inactiv o perioadă lungă de timp, opriți-l și reincărcați-l o dată la trei luni pentru a evita deteriorarea cauzată de supra-descărcare.

Curățați senzorul

Se recomandă curățarea săptămânală a fiecărui senzor cu o cârpă curată și moale pentru a asigura o performanță ridicată la curățare.

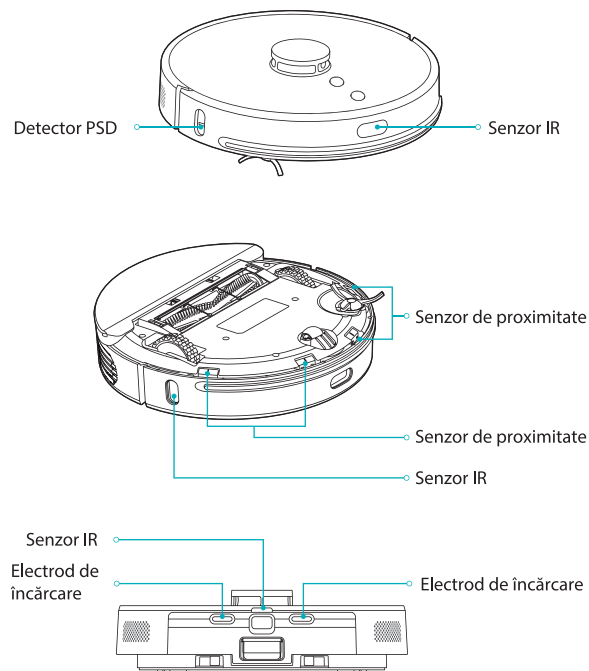
Robotul aspirator:

Senzor de proximitate × 4

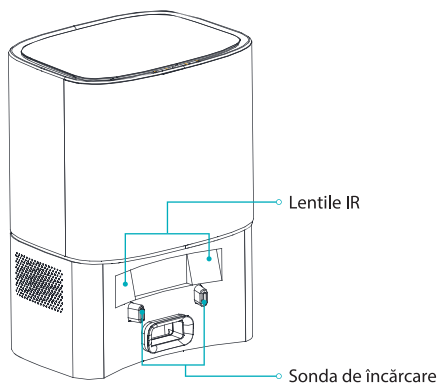
Senzor IR × 3

Electrod de încărcare × 2

Detector PSD × 1



Eliminarea automată a murdăriei:
Lentile IR × 2
Sonda de încărcare × 2



Specificații

Aparatul principal

Nume	Viomi Robot Aspirator S9 cu eliminarea automată a murdăriei
Model număr	V-RVCLMD28A / V-RVCLMD28B
Dimensiuni	φ 350mm×98mm
Tensiune nominală	14,40 V ---
Puterea reală	50 W
Capacitatea bateriei	5.200 mAh
Conexiune fără fir Model	Wi-Fi IEEE 802.11b/g/n 2.4GHz

Eliminare automată a murdăriei

Model număr	V-ADD26A/V-ADD26B
Putere reală	950W
Intrare	220-240V~50/60Hz
Ieșire nominală	24V --- 1,50 A
Putere nominală	50/60Hz
Dimensiuni	356×250×193mm

Acest produs este în conformitate cu standardul de siguranță laser Clasa 1 conform IEC60825-1: 2014 și nu va genera radiații laser periculoase pentru om.

Probleme

Defecțiuni	Soluție
Eroare #1. Asigurați-vă că senzorul laser de distanță nu este blocat.	Verificați sau îndepărtați orice materie străină din jurul radarului laser sau mutați aspiratorul și reporniți-l.
Eroarea #2. Curățați senzorul și aspiratorul.	Curățați senzorul și încercați din nou (pentru mai multe detalii consultați manualul de utilizare).
Eroarea #3. Se detectează un câmp magnetic puternic. Mutați aspiratorul și încercați din nou.	Mutați aspiratorul și încercați din nou.
Eroarea #4. Verificați senzorul de coliziune și îndepărtați orice obiect străin de pe el.	Încercați să apăsați bara de protecție și să îndepărtați orice material străin, apoi reporniți aspiratorul.
Eroarea #5. Aspiratorul se află la o temperatură anormală. Oprii funcționarea până când temperatura este normală.	Aspiratorul este la o temperatură prea ridicată sau scăzută. Oprii funcționarea până când temperatura este normală.
Eroarea # 6. Încărcarea eșuată. Vă rugăm să curățați contactul de încărcare.	Verificați adaptorul sau verificați dacă eliminarea murdăriei este în poziție orizontală. Oprii aspiratorul și eliminarea murdăriei, curățați contactele metalice.

Se solicită eroarea de eliminare a murdăriei	Soluție
Eroare nr. 1. Sacul de praf nu este montat. Se afișează textul „Sac plin” și pictograma clipește.	Montați sacul de praf în poziție.
Eroarea nr. 2. Suflanta nu funcționează, textul este afișat și pictograma clipește.	Verificați dacă canalul de aer este blocat și contactați serviciul post-vânzare pentru depanare.

Întrebări și răspunsuri frecvente

Problemă	Soluție
Aspiratorul nu pornește.	Nivel scăzut al bateriei. Țineți aparatul aproape de stația de încărcare și încercați din nou. Temperatura ambiantă este prea scăzută (sub 0 °C) sau prea ridicată (peste 50 °C)
Funcția de măturare.	Nivel scăzut al bateriei. Țineți aparatul aproape de stația de încărcare și încercați din nou.
Funcția de încărcare eșuează.	Prea multe bariere în jurul eliminării automate a murdăriei. Plasați eliminarea automată a murdăriei într-o zonă fără blocaje. Mașina principală este prea departe de eliminarea automată a murdăriei. Așezați mașina principală lângă eliminarea automată a murdăriei și încercați din nou.

Întrebări și răspunsuri frecvente

Problemă	Soluție
Aparatul funcționează necorespunzător.	Opriiți și apoi porniți din nou.
Operațiunea de curățare este zgomotoasă.	Peria principală, peria laterală sau rotorul stânga/dreapta sunt blocate de un obiect străin. Opriiți aparatul și îndepărtați obiectul străin.
Curățat defectuos sau sare murdăria.	Eliminarea murdăriei este plină de praf. Vă rugăm să goliți colectorul. Componenta filtrului este blocată. Vă rog să-l curățați. Peria principală este blocată de un obiect străin. Vă rugăm să curățați peria principală.
Conexiunea Wi-Fi nu este disponibilă.	Semnal WiFi slab. Asigurați-vă că robotul se află în acoperirea rețelei WiFi. Conexiunea WiFi a eșuat. Reconfigurați conexiunea Wi-Fi, descărcați cea mai recentă versiune a aplicației și încercați din nou.
Reluarea punctului de întrerupere.	Asigurați-vă că modul silențios nu este activat, ceea ce va dezactiva procederea la punctul de întrerupere. Atunci când mașina este încărcată, procesarea la punctul de întrerupere nu este disponibilă .
Aspiratorul nu reușește să revină la eliminarea automată a murdăriei după curățarea sau să se deplaseze în punct fix.	Deoarece aspiratorul va genera o nouă hartă după curățarea punctului fix sau a fost deplasat pe o distanță lungă, este posibil să nu localizeze eliminarea automată a murdăriei pentru încărcare. În acest caz, așezați manual mașina pe eliminarea automată a murdăriei.

Problemă	Soluție
Încărcarea eșuată.	Asigurați-vă că există suficient spațiu în jurul eliminării automate a murdăriei și că nu există praf sau blocaj pe suprafața electrodului acestuia.
Curățarea programată eșuată	Asigurați-vă că aparatul este conectat la rețeaua WiFi, deoarece deconectarea va conduce la eșuarea sincronizării și a sarcinii de curățare programate.
Aspirator închis.	Asigurați-vă că aparatul este conectat cu succes la rețea și că este întotdeauna acoperit de Wi-Fi.
Aspiratorul nu poate fi asociat cu telefonul mobil.	Asigurați-vă că atât eliminarea automată a murdăriei, cât și mașina principală se află sub acoperirea rețelei Wi-Fi, apoi reconfigurați conexiunea Wi-Fi pentru asociere urmând instrucțiunile din manual.

Ograniczenia operacyjne

- Ten produkt służy wyłącznie do czyszczenia podłóg w środowisku domowym. Nie używaj go na zewnątrz (na przykład otwarte balkony), nie na ziemi (na przykład sofy), w środowisku komercyjnym lub przemysłowym.
 - Nie stosować w pomieszczeniach podwieszonych (np. Podłogi dwustronne, otwarte balkony, dachy) oraz w środowiskach bez ogrodzeń ochronnych.
 - Nie używać w środowisku, w którym temperatura jest wyższa niż 40 °C, niższa niż 0 °C lub w których na ziemi znajdują się płyny i lepkie przedmioty.
 - Odłącz wszystkie przewody / kable od uziemienia przed użyciem tego produktu.
 - Kruche przedmioty i małe przedmioty (takie jak wazon, plastikowe torby itp.) Należy umieszczać na ziemi, aby uniknąć przeszkód lub lekkich kolizji podczas pracy maszyny głównej, które mogą uszkodzić wartościowe przedmioty gospodarstwa domowego.
 - Ten produkt nie powinien być używany ani obsługiwany przez osoby (w tym dzieci) z niepełnosprawnością fizyczną, umysłową lub sensoryczną.
 - Nie pozwalaj dzieciom używać tego produktu jako zabawki. Jeśli główna maszyna działa, przechowuj ją poza zasięgiem dzieci i zwierząt.
 - Nie umieszczaj żadnych przedmiotów (w tym dzieci, zwierząt) na stojącym lub bieżącym urządzeniu.
 - Nie używaj go do czyszczenia płonących przedmiotów (takich jak niedopałki papierosów).
 - Nie używaj tego produktu do czyszczenia dywanów.
 - Nie pozwól, aby główne maszyny wdychały twarde lub ostre przedmioty (np. Odpady dekoracji, szkło, żelazne gwoździe).
 - Nie używać pokrowca ochronnego Lidara jako uchwytu do przenoszenia urządzenia.
- Wyczyść i utrzyjmaj główne maszyny i podstawkę ładującą wyłączone lub w trybie zatrzymania.
- Oprócz czyszczenia zabrudzeń na produkcie nie rozpylać na produkt żadnych innych płynów.
 - Nie stawiaj głównych maszyn do góry nogami (Lidara nie można stawiać na ziemi).
 - Nie używaj wycierać próżniowy do czyszczenia dywanu.
 - Używaj tego produktu zgodnie z wymaganiami instrukcji lub skróconej instrukcji. Straty lub obrażenia spowodowane niewłaściwym użytkowaniem ponosi użytkownik.

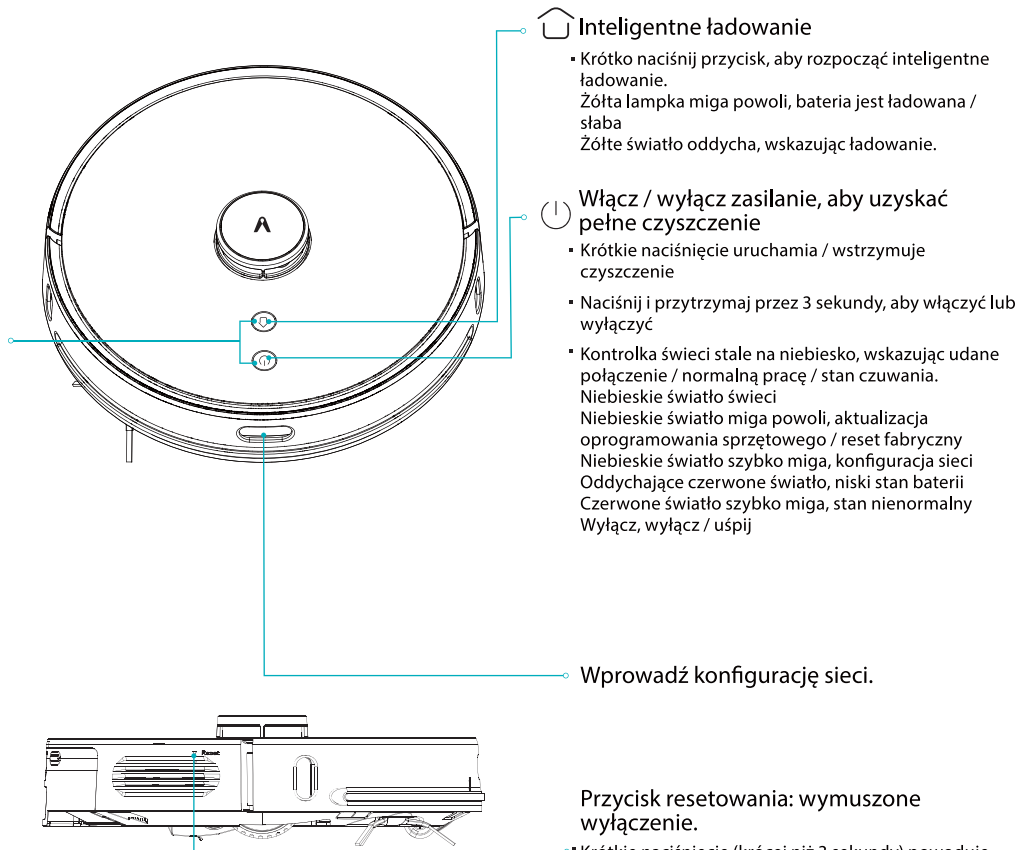
Bateria i ładowanie

- Nie używaj baterii, zasilaczy, stacji ładujących ani adapterów innych producentów.
 - Nie używaj baterii jednorazowych.
 - Nie rozbieraj, nie naprawiaj, nie naprawiaj baterii i podstawki ładującej.
 - Nie umieszczaj podstawki ładującej w pobliżu źródeł ciepła (takich jak kaloryfery itp.).
- Nie wycieraj żadnej części produktu wilgotną szmatką ani innym płynem.
- Nie wyrzucaj przypadkowo zużytej baterii. Zaleca się pozbycie się jakiegokolwiek profesjonalnej agencji.
 - Jeśli musisz wysłać produkt, upewnij się, że host jest wyłączony i zaleca się użycie oryginalnego pudełka do pakowania.
 - Jeśli nie będziesz go używać przez dłuższy czas, wyłącz go po pełnym naładowaniu i przechowuj w chłodnym, suchym miejscu. Ładuj ją co najmniej raz w miesiącu, aby uniknąć uszkodzenia baterii.
 - Wyjmij baterię za pomocą odpowiednich narzędzi.
- Najpierw odkręć śruby na dolnej pokrywie, następnie zdejmij dolną pokrywę, odłącz zaciski podłączone do akumulatora, a następnie wyjmij akumulator.
- Przed użyciem robota należy wyjąć baterię z robota.
- Podczas wyjmowania akumulatora robot musi być wyłączony.

Radar laserowy tego produktu spełnia wymagania normy bezpieczeństwa lasera IEC60825-1: 2014 poziom 1 i nie powoduje niebezpiecznego promieniowania laserowego dla ludzkiego ciała.

konfiguracja sieci

- Po włączeniu robota naciśnij i przytrzymaj jednocześnie przyciski „⏻” i „🏠” przez 5 sekund. Gdy pojawi się komunikat głosowy, zwolnij go i aktywuj konfigurację sieci.
Po włączeniu robota naciśnij i przytrzymaj jednocześnie klawisze „⏻” i „🏠” przez 10 sekund. Po wyświetleniu monitu naciśnij klawisz przez 10 sekund, aby przywrócić ustawienia fabryczne.



🏠 Inteligentne ładowanie

- Krótko naciśnij przycisk, aby rozpocząć inteligentne ładowanie.
Żółta lampka miga powoli, bateria jest ładowana / słaba
Żółte światło oddycha, wskazując ładowanie.

⏻ Włącz / wyłącz zasilanie, aby uzyskać pełne czyszczenie

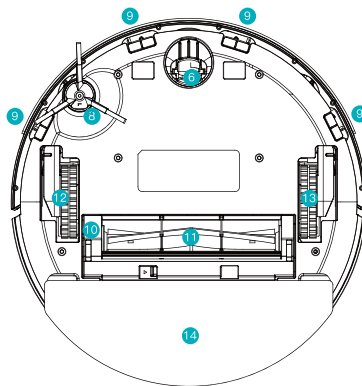
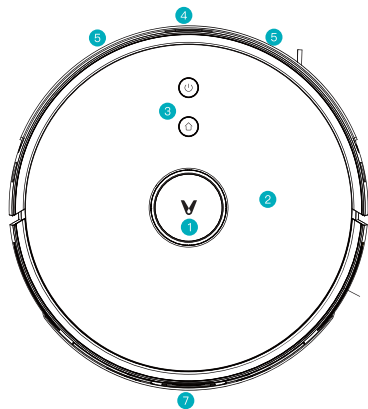
- Krótkie naciśnięcie uruchamia / wstrzymuje czyszczenie
- Naciśnij i przytrzymaj przez 3 sekundy, aby włączyć lub wyłączyć
- Kontrolka świeci stale na niebiesko, wskazując udane połączenie / normalną pracę / stan czuwania.
Niebieskie światło świeci
Niebieskie światło miga powoli, aktualizacja oprogramowania sprzętowego / reset fabryczny
Niebieskie światło szybko miga, konfiguracja sieci
Oddychające czerwone światło, niski stan baterii
Czerwone światło szybko miga, stan nienormalny
Wyłącz, wyłącz / uśpij

Wprowadź konfigurację sieci.

Przycisk resetowania: wymuszone wyłączenie.

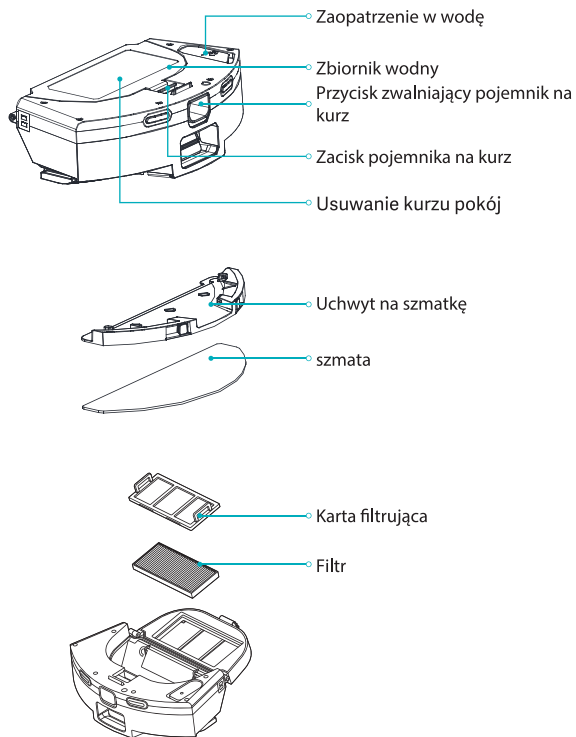
- Krótkie naciśnięcie (krócej niż 3 sekundy) powoduje wyłączenie.

Główna maszyna i czujnik

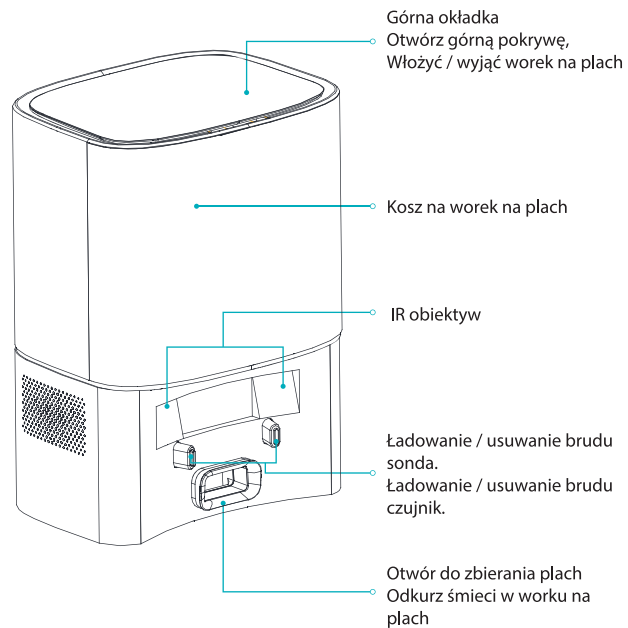


- ① Radar laserowy
- ② Pokrycie powierzchni
- ③ Przycisk
- ④ Czujnik podczerwieni
- ⑤ Czujnik kolizji
- ⑥ Uniwersalne kółka
- ⑦ Elektroda ładująca
- ⑧ Szczotka boczna
- ⑨ Czujnik klifu
- ⑩ Osłona szczotki głównej
- ⑪ Szczotka toczna
- ⑫ Lewy rzucający
- ⑬ Prawy rzucający
- ⑭ Zintegrowane oczyszczanie brudu / zbiornik na wodę

2 połączone w 1 komorze do kursu z cysterną na wodzie



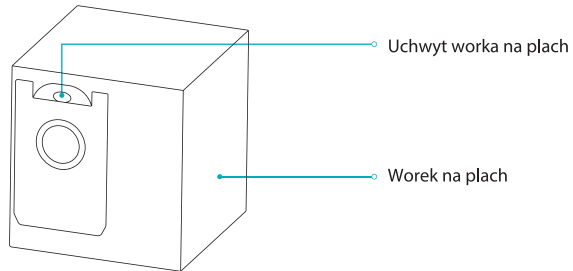
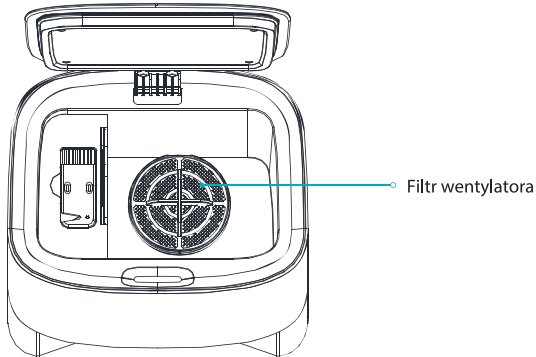
Automatyczne usuwanie kurzu (zbieranie i ładowanie dwa w jednym)



Instrukcje Instalacji

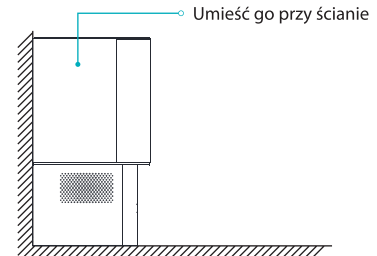
1. Zainstalować środek do usuwania brudu

(1) Brud należy położyć na płaskiej powierzchni blisko ściany, a następnie włożyć wtyczkę do gniazdka i włączyć zasilanie.

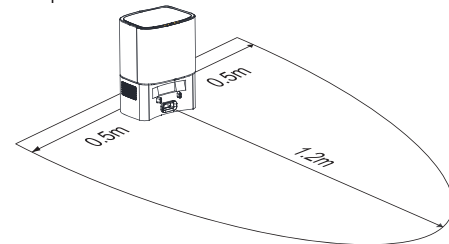


Worek na kurz (w tym obróbka brudu).

Uwaga: worek na kurz jest materiałem eksploatacyjnym i nie wolno go używać ponownie. Regularnie wymieniaj.



(2) Upewnij się, że przed odpylaczem nie ma przeszkód w odległości 1,2 metra i 0,5 metra po obu stronach.



Instrukcja użycia

1. Włącz /wyłączyć

Naciśnij i przytrzymaj przycisk zasilania „(⏻)” przez 3 sekundy w nadziei, że włączysz / wyłączysz urządzenie. Dioda LED zasilania miga powoli przez 4 sekundy, a następnie miga na niebiesko, a odkurzacz jest w trybie gotowości. Po uruchomieniu rozlega się sygnał dźwiękowy. Gdy detergent jest w stanie spoczynku, wyłącz go, naciskając przycisk zasilania „(⏻)” przez 3 sekundy. Wyłącz diodę LED zasilania i wydaj polecenie głosowe.

Jeśli jest beczynny przez ponad 20 minut, odkurzacz przechodzi w tryb uśpienia.

W trybie uśpienia naciśnij dowolny klawisz, aby go obudzić.

Wskazówka: robota nie można wyłączyć ani uśpić podczas ładowania.

2. Zamaszysty

Przy włączonym zasilaniu naciśnij przycisk „(⏻)”, komunikat głosowy: „Rozpocznij pełne czyszczenie”.

Podczas czyszczenia należy zatrzymać czyszczenie, naciskając przycisk „(⏻)”.

Wskazówki: Przy niskim poziomie naładowania baterii nie można uruchomić funkcji zamiatania.

3. automatyczne / ręczne ładowanie

Po zakończeniu czyszczenia zabrzmi komunikat głosowy „Czyszczenie zakończone i rozpocznij ładowanie”, a następnie mop próżniowy rozpocznie ładowanie.

Jeśli poziom naładowania baterii jest niski podczas skanowania, mop próżniowy automatycznie rozpocznie ładowanie.

4. Dolej wody do zbiornika lub wyczyść szmatkę do połowy

Naciśnij przycisk „(⏻)”, aby zatrzymać mop próżniowy; wyjmij moduł mopa, napełnij zbiornik na wodę lub wyczyść mop; włóż ponownie moduł mopa i ponownie naciśnij przycisk, aby wznowić zamiatanie.

5. Dystrybucja sieciowa i aktualizacje oprogramowania sprzętowego

Pobierz aplikację, skanując kod QR na urządzeniu i zresetuj WiFi, postępując zgodnie ze wskazówkami w aplikacji.

Możesz użyć aplikacji do bezpośredniego wyszukiwania i aktualizowania oprogramowania sprzętowego. Podczas aktualizacji upewnij się, że urządzenie się ładuje, a poziom naładowania baterii nie jest niższy niż 60%. Zobacz instrukcje w aplikacji dotyczące procedury aktualizacji

Po pomyślnym pobraniu postępuj zgodnie z instrukcjami w aplikacji, aby skonfigurować sieć. Po podłączeniu do sieci możesz używać aplikacji do zdalnego uruchamiania czyszczenia i funkcji czyszczenia zaplanowanego. "

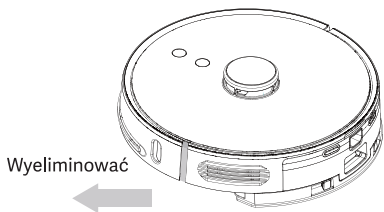
6. Stan błędu

W przypadku przypadkowej awarii mopa próżniowego włączy się alarm dźwiękowy i wizualny, a dioda LED zasilania zacznie migać na czerwono. Aby uzyskać więcej informacji, zobacz Rozwiązywanie problemów.

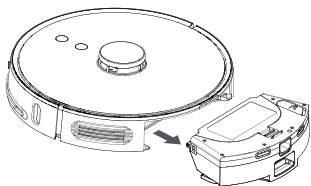
Jeśli wystąpi usterka, mop próżniowy automatycznie przejdzie w tryb uśpienia po 10 minutach beczynności.

Instrukcja użycia

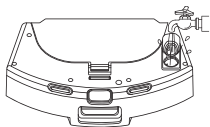
(1) Umieść mop próżniowy na płaskiej podłodze w pomieszczeniu. Usuń zabezpieczenie krańcowe po obu stronach zderzaka.



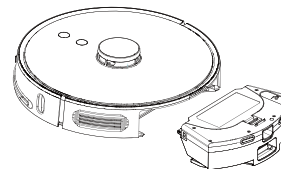
(2) Naciśnij przycisk zwalnający komorę usuwania kurzu, aby ją wyjąć, która ma zbiornik na wodę dwa w jednym. Przy pierwszym użyciu w zbiorniku może być bardzo mało wody. Ta woda jest pozostałością próbki testowej i jest w normalnym stanie. Możesz go używać z pewnością.



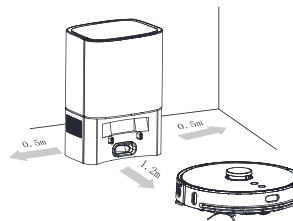
(3) Namocz mop wodą i przymocuj go do magicznej taśmy i dokręć. Wstrzyknąć wodę przez wlot i dokręcić pokrywę.



(4) Zainstaluj w urządzeniu komorę na kurz 2 w 1 ze zbiornikiem na wodę.



(5) Naciśnij przycisk „⏻” przez 3 sekundy, aby wyłączyć mop próżniowy, a następnie naciśnij przycisk „⏪”, aby naładować. Po całkowitym naładowaniu mop próżniowy będzie gotowy.



Uwaga:

1. Robot powraca do bazy obróbki brudu. Po ponad 1 minucie pracy robot automatycznie rozpoczyna proces czyszczenia. Strzałka na ekranie miga na zielono, gdy gromadzi się kurz.
2. Jeśli bateria jest prawie wyczerpana, robot nie będzie mógł się wyłączyć. W takim przypadku najpierw naładuj.
3. Jeśli akumulator jest prawie pusty podczas czyszczenia, robot automatycznie się naładuje, a następnie powróci do punktu przerwania, aby kontynuować czyszczenie.

Jak połączyć się z Wi-Fi

Ten produkt współpracuje z Mi Home / Xiaomi Home *. Kontroluj swoje urządzenie i komunikuj się z nim oraz innymi inteligentnymi urządzeniami domowymi za pomocą Mi Home / Xiaomi Home.



Zeskanuj kod QR i pobierz i zainstaluj aplikację. Jeśli aplikacja jest już zainstalowana, zostaniesz przeniesiony do interfejsu ustawień połączenia. Lub wyszukaj „Mi Home / Xiaomi Home” w App Store, a następnie pobierz i zainstaluj.

Otwórz aplikację Mi Home / Xiaomi Home, dotknij „+” w prawym górnym rogu, a następnie postępuj zgodnie z instrukcjami, aby dodać swoje urządzenie.

* W Europie ta aplikacja jest nazywana aplikacją Xiaomi Home (z wyjątkiem Rosji). Nazwa wyświetlanej aplikacji na twoim urządzeniu powinny być traktowane jako domyślne.

Uwaga:

Wersja aplikacji mogła zostać zaktualizowana, postępuj zgodnie z instrukcjami dotyczącymi aktualnej wersji aplikacji.

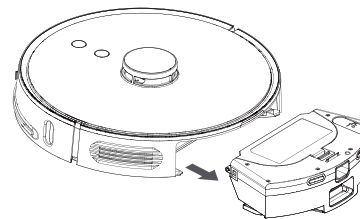
Resetowanie Wi-Fi

Po wymianie routera lub zmianie hasła Wi-Fi należy nacisnąć i przytrzymać klawisze „⏪” i „⏩” jednocześnie przez 5 sekund, wskaźnik Wi-Fi zacznie migać na niebiesko, a komunikat głosowy wskaże pomyślne zresetowanie sieci Wi-Fi.

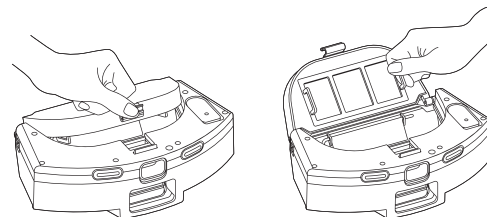
Codzienna konserwacja

Komorę na kurz 2 w 1 ze zbiornikiem na wodę

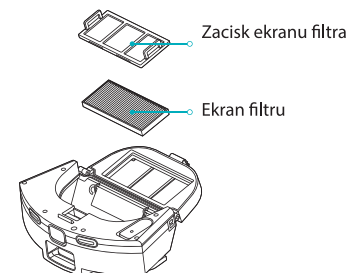
(1) Naciśnij przycisk zwalniania komory na kurz i wyciągnij zbiornik, aby go wyjąć.



(2) Zwolnij zacisk pojemnika na kurz i zdejmij zacisk filtra.



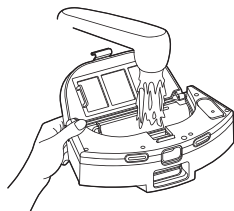
(3) Usuń maskę filtra.



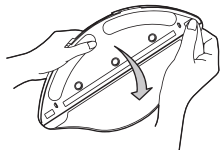
(4) Oczyszczyć sito filtra i zaciśnąć szczoteczką do czyszczenia.



(5) Wypełnij brud wodą, wstrząśnij, a następnie opróżnij. Powtarzaj ten proces, aż będzie czysty.



(6) Połączyć pojemnik na kurz w jeden, a następnie wymienić lub wyczyścić mop.



Połączenie:

Jeśli mop jest zbyt brudny, wpłynie to na efekt czyszczenia, wyczyść go na czas.

Nie zapomnij wyjąć, wyczyścić, ścisnąć i zainstalować mopa. Zabrania się instalowania urządzeń typu dwa w jednym w wodzie.

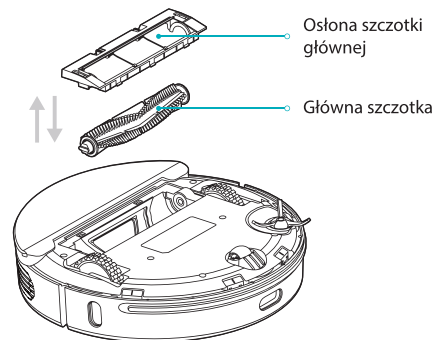
Wyczyść skrzynkę, w przeciwnym razie element filtrujący zostanie zatkany brudną wodą.

Zaleca się wymianę mopa co 6-12 miesięcy, aby zapewnić efekt czyszczenia.

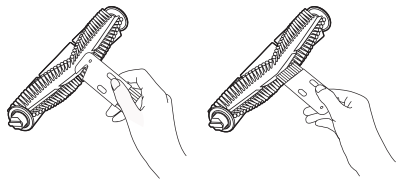
Wyczyść główną szczotkę

Główna szczotka jest materiałem eksploatacyjnym, który jest czyszczony przynajmniej raz w tygodniu. Aby zapewnić efekt czyszczenia, zaleca się wymianę głównej szczotki w ciągu 6 do 12 miesięcy.

(1) Obróć zamiatającego robota, naciśnij zacisk na pokrywie głównej szczotki, a następnie zdejmij pokrywę głównej szczotki i główną szczotkę. Uwaga: Podczas cofania unikaj kolizji, aby uniknąć uszkodzenia lidara.



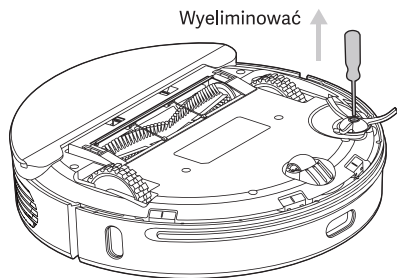
(2) Za pomocą nożyczek usuń włosy wokół szczotki, a następnie wyczyść główną szczotkę drugim końcem noża.



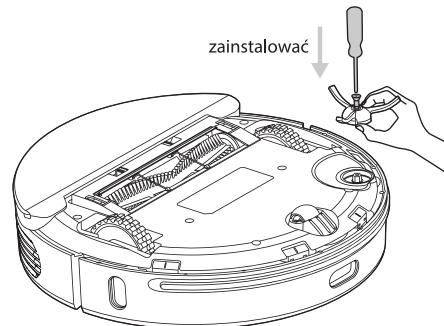
(3) Zamontuj główną szczotkę i osłonę głównej szczotki i zablokuj zacisk.

Oczyścić / wymienić szczotkę boczną

(1) Odkręć śruby mocujące szczotkę boczną za pomocą śrubokręta i zdejmij szczotkę boczną.



(2) Po czyszczeniu zainstaluj lub wymień szczotkę boczną.

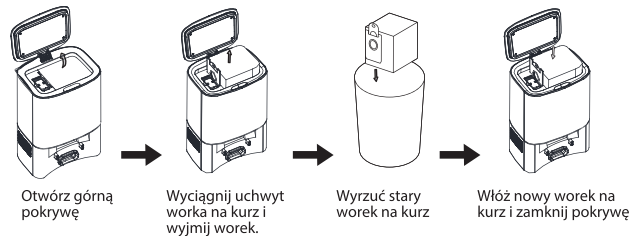


Wskazówka: Zaleca się wymianę bocznej szczotki w ciągu 3-6 miesięcy, aby zapewnić efekt czyszczenia.

Wymień worek na kurz

Jeśli worek na kurz jest pełny, ikona „PEŁNY Worek na kurz” miga na ekranie na pomarańczowo lub w aplikacji pojawia się komunikat, należy natychmiast wymienić worek na kurz.

Jeśli worek na kurz działa normalnie, ikona będzie nadal migać na zielono i biało.



Oczyść przewód ssawny

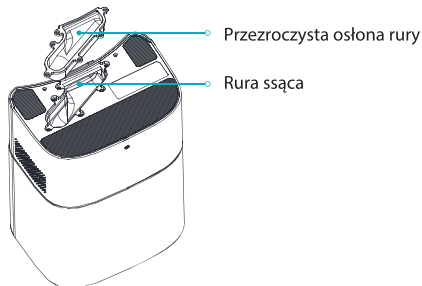
Jeśli po wymianie worka ikona FULL DUST BAG nadal świeci na pomarańczowo, zaleca się odłączenie zasilacza i obrócenie piły ładującej do góry nogami, aby sprawdzić, czy linia kurzu nie jest zablokowana przez inne przedmioty.

Jeśli kaczuszka jest zatkana, zdejmij pokrywę rury za pomocą śrubokręta, jak pokazano poniżej. Usuń wszystkie ciała obce."

Uwaga: demontaż siłą jest zabroniony.

Po oczyszczeniu zwróć go tak, jak jest.

Przezroczysta osłona przeciwpyłowa.



Konserwacja baterii

Mop próżniowy zawiera wbudowany akumulator litowo-jonowy o wysokiej wydajności. Jeśli chcesz zachować sprawność baterii, regularnie ją ładuj. Jeśli mop próżniowy nie jest używany przez dłuższy czas, wyłącz go i ładuj co trzy miesiące, aby zapobiec uszkodzeniom spowodowanym przeładowaniem.

Wyczyść czujnik

Zaleca się co tydzień przecierać każdy czujnik czystą, miękką i suchą szmatką, aby zapewnić normalne użytkowanie urządzenia.

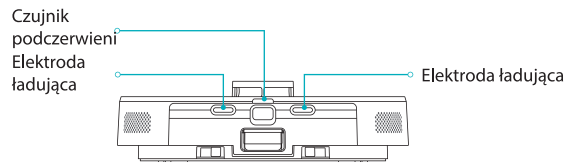
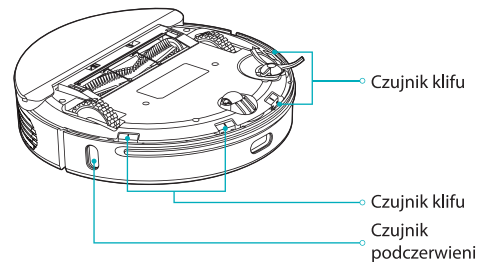
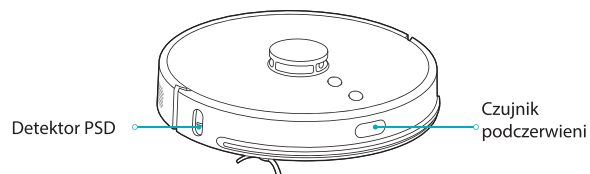
Odkurzacznym robota:

Czujnik klifu × 4

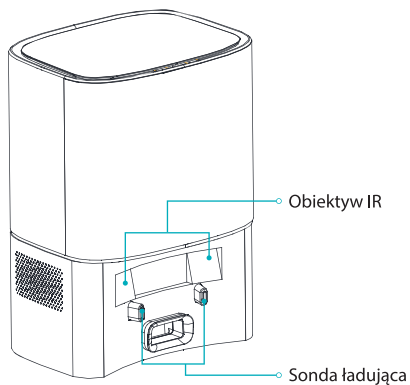
Czujnik podczerwieni × 3

Elektroda ładująca × 2

Detektor PSD × 1



Automatyczne czyszczenie brudu:
Obiektów IR × 2
Sonda ładująca × 2



Specyfikacje

Główna maszyna

Название	Viomi Robot Vacuum S9 - automatyczne usuwanie brudu
Typ produktu	V-RVCLMD28A / V-RVCLMD28B
Wymiary	φ 350mm×98mm
Napięcie znamionowe	14,4V ---
Moc znamionowa	50W
Pojemność baterii	5200mAh
połączenie bezprzewodowe	Wi-Fi IEEE 802.11b / g / n 2,4 GHz

Automatyczne usuwanie brudu

Typ produktu	V-ADD26A/V-ADD26B
moc znamionowa	950W
Znamionowe wejście	220-240V~50/60Hz
Znamionowe wyjściowy	24V --- 1.5A
nominalna częstotliwość	50/60Hz
Wymiary	356×250×193mm

Radar laserowy tego produktu spełnia wymagania normy bezpieczeństwa lasera IEC60825-1: 2014 poziom 1 i nie powoduje niebezpiecznego promieniowania laserowego dla ludzkiego ciała.

Rozwiązywanie problemów

Komunikat o błędzie zmiatarki	Rozwiązanie
Nieprawidłowe 1. Potwierdź, że lidar nie jest zablokowany	Sprawdź lub usuń brud wokół lidara lub zmień położenie mopa próżniowego, a następnie uruchom ponownie.
Nieprawidłowe 2. Aby rozpocząć, wytrzymaj czujnik wysokości i przenieś się w nowe miejsce	Wyczyść czujnik rafy i spróbuj ponownie (więcej informacji znajduje się w instrukcji obsługi).
Nieprawidłowe 3. Wykryto silne pole magnetyczne, przejdź do nowej pozycji i spróbuj ponownie	Zmień położenie mopa próżniowego i spróbuj ponownie.
Nieprawidłowe 4. Sprawdź i usuń ciała obce z czujnika kolizji	Spróbuj nacisnąć drążek antykolizyjny i usuń wszystkie ciała obce, następnie uruchom ponownie mop próżniowy.
Błąd nr 5. Mop próżniowy ma nietypową temperaturę. Zatrzymaj ruch, aż do przywrócenia normalnej temperatury.	Temperatura mopa próżniowego jest zbyt wysoka lub niska. Zatrzymaj pracę, aby przywrócić normalną temperaturę.
Nieprawidłowe 6. Nieprawidłowe ładowanie, wyczyść obszar styku ładowania	Sprawdź adapter lub upewnij się czy obróbka brudu jest w pozycji poziomej. Wyłącz mop próżniowy i usuwanie brudu i wyczyść jego metalowe styki.

Wezwać do niepowodzenia usuwania zabrudzeń	Rozwiązanie
Błąd # 1 Worek na kurz nie jest zamontowany. Podaje się tekst „Pełny worek na kurz” i ikona miga.	Zainstaluj worek na kurz na miejscu.
Błąd nr 2. Dmuchawa nie działa, pojawia się tekst i ikona miga.	Sprawdź, czy przewody powietrza nie są zatłkane i skontaktuj się z obsługą posprzedażną w celu rozwiązania problemu.

FAQ

Problem	Rozwiązanie
Odkurzacz nie uruchomi się.	Akumulator jest prawie rozładowany, przed użyciem naładuj go za pomocą podstawki ładującej, temperatura otoczenia jest za niska (poniżej 0 ° C) lub za wysoka (powyżej 50 ° C)
Funkcja wobulacji nie działa.	Akumulator jest prawie rozładowany, przed użyciem naładuj go za pomocą podstawki ładującej
Funkcja ładowania nie działa.	Wokół automatycznego manipulatora zanieczyszczeń znajduje się zbyt wiele przeszkód. Umieść automatyczny manipulator zanieczyszczeń w wolnej przestrzeni. Gospodarz jest zbyt daleko od automatycznego manipulatora zanieczyszczeń. Umieść jednostkę główną w pobliżu automatycznego manipulatora na ziemi i spróbuj ponownie.

FAQ

Problem	Rozwiązanie
Maszyna działa nieprawidłowo.	Wyłącz i włącz ponownie
Sprzątanie jest głośnie.	Szczotka główna, szczotka boczna lub lewa i prawe koło są łatwo uszkodzone przez brud. Wyłączyć maszynę i usunąć brud.
Skuteczność czyszczenia lub krople kurzu są ograniczone.	Pełen kurzu. Opróżnij pojemnik na kurz. Zespół filtra jest zatkany, proszę wyczyścić. Główna szczotka jest łatwo uszkodzona przez brud. Proszę wyczyścić główną szczotkę.
Wi-Fi nie jest dostępne.	Sygnal Wi-Fi jest słaby. Upewnij się, że robot ma prawidłowy zasięg sygnału Wi-Fi. Połączenie Wi-Fi nie powiodło się. Połącz się ponownie z Wi-Fi, pobierz najnowszą aplikację i spróbuj ponownie.
Postępuj zgodnie z czyszczeniem obszaru wycieraczek.	Upewnij się, że główne urządzenie nie jest w trybie Nie przeszkadzać, czyszczenie nie będzie kontynuowane w tym trybie. Ręczne ładowanie lub ponowne włożenie głównej maszyny do podstawki ładującej nie spowoduje kontynuacji czyszczenia.
Mopa próżniowego nie można zwrócić ani przenieść, a po miejscowym czyszczeniu zostanie przełączony na automatyczne usuwanie zabrudzeń	Ponieważ Mop próżniowy regeneruje mapę, może nie być możliwe znalezienie automatycznego urządzenia do usuwania brudu do ładowania po wyczyszczeniu stałego punktu lub przejściu na dużą odległość. W takim przypadku należy ustawić maszynę ręcznie w miejscu automatycznego czyszczenia zabrudzeń.

Problem	Rozwiązanie
Ładowanie nie powiodło się.	Upewnij się, że wokół automatycznego czytnika zabrudzeń jest wystarczająco dużo miejsca i że na powierzchni automatycznego czytnika zabrudzeń nie ma kurzu ani zatkania.
Zaplanowane czyszczenie kończy się niepowodzeniem.	Upewnij się, że urządzenie jest podłączone do sieci, ponieważ odłączenie od sieci nie zostanie zsynchronizowane i zostanie przeprowadzone zaplanowane czyszczenie.
Mop próżniowy jest zawsze offline.	Upewnij się, że urządzenie jest pomyślnie podłączone do sieci i zawsze w zasięgu WiFi
Mopa próżniowego nie można podłączyć do telefonu komórkowego.	Upewnij się, że automatyczne czyszczenie brudu i główne urządzenie mają dobry zasięg sygnału Wi-Fi, a następnie postępuj zgodnie z instrukcjami w instrukcji, aby zresetować połączenie Wi-Fi w celu sparowania.

Consideraciones

Restricciones de uso

- Este producto debe usarse solo para limpiar la superficie del suelo en casas residenciales, pero no para exteriores, otras superficies (por ejemplo, un sofá) o entornos comerciales o industriales.
- No utilice este producto en un entorno sin barandilla, como dúplex, balcón abierto y parte superior de muebles.
- No utilice este producto a una temperatura superior a 40 °C o inferior a 0 °C o en una superficie del suelo con cualquier materia líquida o viscosa.
- Antes de operar este producto, retire cualquier alambre / cable en la superficie del suelo.
- Retire cualquier artículo frágil y artículos diversos de la superficie del suelo, como un florero o una bolsa de plástico, para evitar que la máquina principal lo golpee y lo dañe.
- No permita que ninguna persona con trastornos físicos, mentales o sensoriales (incluidos los niños) use u opere este producto.
- No permita que los niños jueguen con la máquina principal. Mantenga a los niños o mascotas alejados de la máquina principal durante el funcionamiento.
- No coloque ningún objeto ni se siente sobre la máquina principal que esté estacionaria o en movimiento.
- No utilice este producto para limpiar ningún objeto que se esté quemando (por ejemplo, quemándose la colilla).
- No utilice este producto para limpiar alfombras.
- No utilice este producto para aspirar ningún objeto duro o afilado, como desechos, vidrio y clavos de hierro.
- No manipule este producto por la cubierta protectora del radar láser como asa.

Asegúrese de limpiar la máquina principal y la base de carga solo cuando este producto esté apagado o la fuente de alimentación esté desconectada.

- No vierta ningún líquido en este producto, excepto la eliminación de suciedad, que se puede limpiar.
- No coloque la máquina principal boca abajo y no coloque el radar láser en el suelo.
- No utilice la aspiradora para limpiar la alfombra.
- Utilice este producto siguiendo las instrucciones o la guía de inicio rápido. El usuario será responsable de cualquier pérdida o lesión que resulte de un uso inadecuado.

Batería y carga

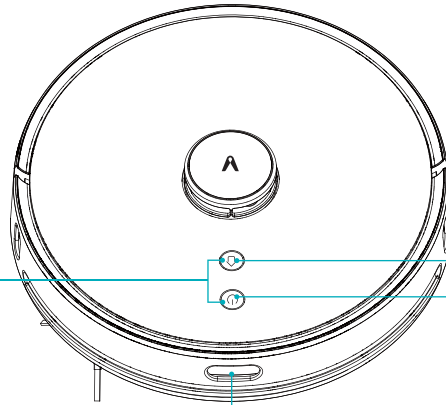
- No utilice baterías, adaptadores de corriente, bases de carga de terceros.
- No utilice pilas no recargables.
- No desmonte, repare ni modifique la batería o el soporte de carga sin permiso.
- No coloque el soporte de carga cerca de fuentes de calor (como radiadores, etc.). No limpie ninguna parte del producto con un paño húmedo o cualquier líquido.
- No tire las baterías usadas a voluntad, se recomienda entregarlas a una organización profesional para su eliminación.
- Si necesita transportar el producto, asegúrese de que el host esté apagado y se recomienda utilizar la caja original para el embalaje.
- Si no lo usa durante mucho tiempo, apague el host después de cargarlo por completo y guárdelo en un lugar fresco y seco. Carguelo al menos una vez al mes para evitar daños en la batería.
- Utilice una herramienta adecuada para quitar la batería. Primero retire el tornillo de la tapa inferior y luego retire la tapa, desenchufe el terminal de conexión de la batería y saque la batería. Antes de deshacerse del robot, debe sacarle la batería. Al retirar la batería, el robot debe estar apagado.

El radar láser de este producto cumple con la norma de seguridad láser Clase 1 de IEC60825-1: 2014 y no producirá radiación láser peligrosa para el cuerpo humano.

Introducción del producto

configuración de la red

- Cuando el robot esté encendido, presione simultáneamente y mantenga presionadas las teclas "⏻" y "🏠" durante 5 segundos hasta que se escuche un mensaje de voz, y luego suéltelas para activar la configuración de red.
Cuando el robot esté encendido, presione simultáneamente y mantenga presionadas las teclas "⏻" y "🏠" durante 10 segundos hasta que se emita un mensaje de voz, y mantenga presionadas las teclas durante 10 segundos para finalizar la recuperación a la configuración de fábrica.



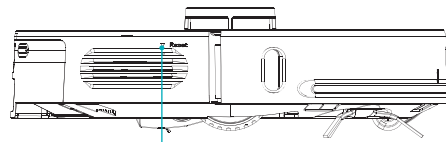
🏠 Recarga inteligente

- Pulsa brevemente para iniciar la recarga inteligente
La luz amarilla parpadea lentamente, recargando / batería baja
Respiración de luz amarilla, cargando

⏻ Encendido / apagado de barrido global

- Presione brevemente para iniciar / pausar la limpieza.
- Mantenga pulsado durante 3 segundos para encender o apagar.
- Respiración de luz azul, encendido
La luz azul parpadea lentamente, actualización del firmware / restauración de la configuración de fábrica
La luz azul parpadea rápidamente, configuración de red
Luz roja respirando, estado de batería baja
La luz roja parpadea rápidamente, estado anormal
La luz apagada, apagado / suspensión

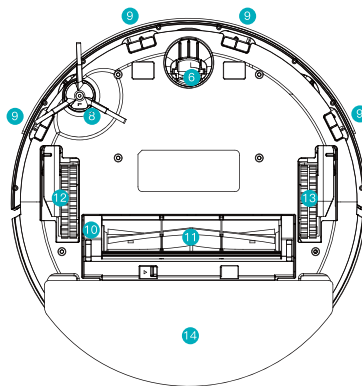
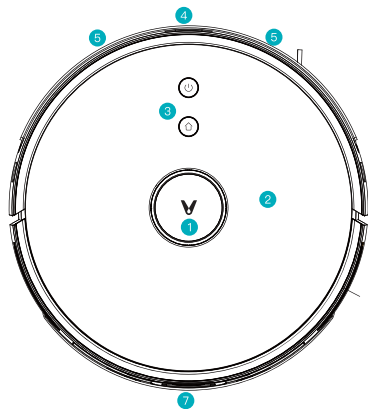
Sensor de recepción de infrarrojos



Botón de Reset: botón de apagado forzado

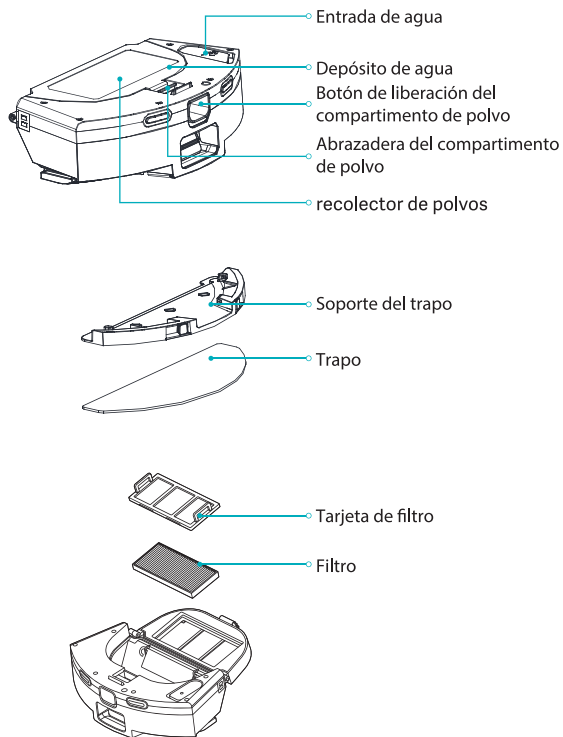
- Presione brevemente (menos de 3 segundos) para apagar.

Host y sensor

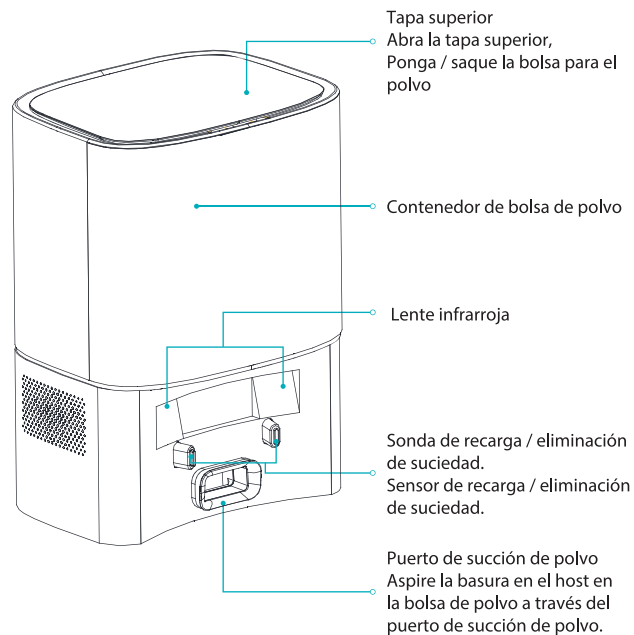


- ① Radar láser
- ② Cubierta de superficie
- ③ botón
- ④ Sensor de recepción de infrarrojos
- ⑤ Sensor de colisión
- ⑥ Rueda universal
- ⑦ Pieza de polo de carga
- ⑧ Cepillo lateral
- ⑨ Sensor de desnivel
- ⑩ Cubierta de barrido medio
- ⑪ Cepillo de rodillo
- ⑫ Rueda izquierdo
- ⑬ Rueda derecha
- ⑭ Eliminación de suciedad integrado/Depósito de agua

Compartimento para el polvo 2 en 1 con depósito de agua



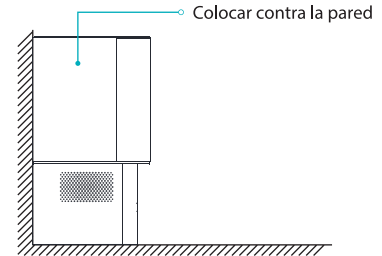
Eliminación Automática de Suciedad (dos en uno para recolección de polvo y carga)



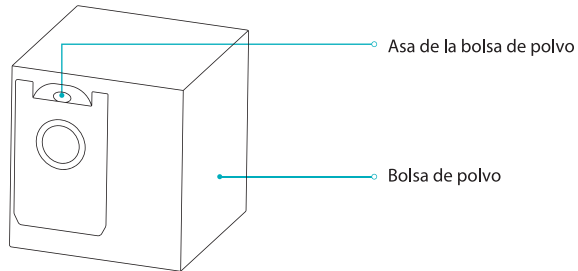
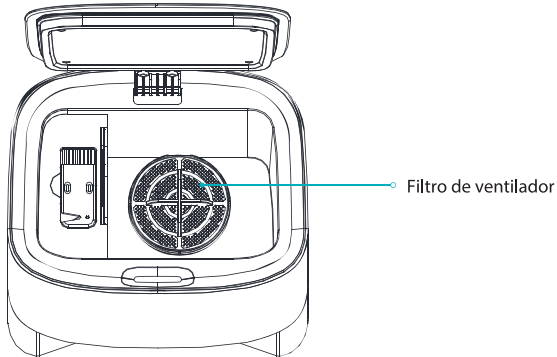
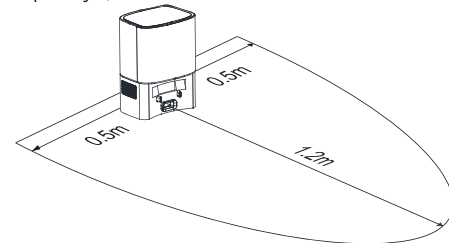
Introducción de instalación

1. Instale el triturador de basura

(1) Coloque la eliminación de suciedad en un piso plano cerca de la pared, conecte el enchufe a un enchufe aprobado y encienda la fuente de alimentación.



(2) Asegúrese de que no haya ninguna obstrucción a 1,2 metros delante del colector de polvo y 0,5 metros a ambos lados.



Bolsa de polvo (incluye un triturador de basura).

Recordatorio: La bolsa para el polvo es un consumible y no se puede reciclar. Reemplácela con regularidad.

Introducción de uso

1. Encendido / apagado

Mantenga pulsado el botón de encendido "⏻" durante 3 segundos para encender / apagar la máquina. El indicador LED de encendido parpadea lentamente durante 4 segundos y luego se enciende constantemente en color azul y el limpiador está en espera. Al inicio hay un tono de aviso. Cuando el limpiador se quede quieto, mantenga presionado el botón de encendido "⏻" durante 3 segundos para apagarlo. El LED de encendido se apaga y se emite un mensaje de voz. El limpiador dormirá si permanece inactivo durante más de 20 minutos. En el estado de suspensión, si presiona cualquier botón, se activará. Sugerencias: Durante la recarga, el robot no se puede apagar ni dormir.

2. Limpieza

En el estado de encendido, presione brevemente el botón "⏻" con el mensaje de voz "iniciar limpieza global". Durante la limpieza, presione brevemente el botón "⏻" para dejar de barrer. Consejo: cuando la batería está demasiado baja, la función de limpieza no se puede activar.

3. Recarga automática / recarga manual

Al finalizar el barrido, se emite un mensaje de voz "la limpieza terminó y la recarga comenzó" y la aspiradora-fregona comienza a recargarse. En caso de que el nivel de la batería sea bajo durante el barrido, la fregona aspiradora comenzará a recargarse automáticamente.

4. Agregue agua al tanque de agua o limpie el trapo

Presione brevemente el botón "⏻" para pausar la aspiradora; retire el módulo de trapeador, vuelva a llenar el tanque o limpie el trapeador; vuelva a montar el módulo de limpieza y presione brevemente el botón nuevamente para reanudar el barrido.

5. Distribución de red y actualización de firmware

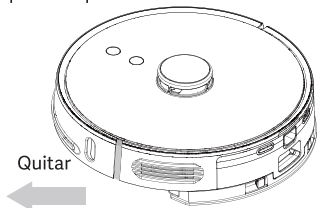
Descargue APP escaneando el código QR en la máquina y reinicie el WiFi siguiendo los consejos de APP. A través del dispositivo de la aplicación, puede consultar y actualizar directamente el firmware del dispositivo. Al actualizar, asegúrese de que el dispositivo esté en un estado de carga y la potencia no sea inferior al 60%. Consulte las instrucciones en la APLICACIÓN para conocer los pasos de actualización. Después de que la descarga sea exitosa, siga las indicaciones de la APLICACIÓN para configurar la red. Después de que el host se conecte a la red, puede usar la APLICACIÓN para iniciar de forma remota las funciones de limpieza y limpieza programada.

6. Estado de avería

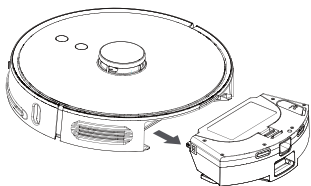
En caso de falla en la aspiradora-trapeador, se emitirán alarmas sonoras y visuales con el indicador LED de encendido parpadeando en rojo. Para obtener más detalles, consulte Resolución de problemas. La fregona aspiradora se dormirá automáticamente cuando esté inactiva durante 10 minutos en caso de avería.

Introducción de uso

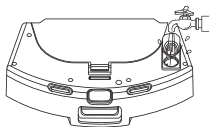
(1) Coloque el trapeador al vacío en un piso plano en el interior. Retire los dispositivos de protección de la barra de límite en ambos extremos del parachoques delantero.



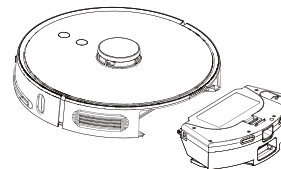
(2) Presione el botón de liberación del compartimento para el polvo para retirar el compartimento para el polvo 2 en 1 con tanque de agua. Para el uso inicial, puede haber muy poca agua en el tanque, que es una muestra de prueba residual y en condiciones normales, y puede usarla a gusto.



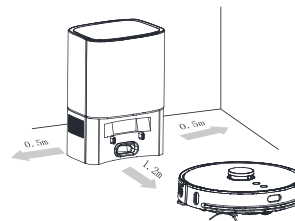
(3) Humedezca la fregona con agua, pegue la fregona en el velcro y apriete. Llene el puerto de llenado con agua y cierre bien la tapa de goma.



(4) Monte el compartimento para el polvo 2 en 1 con depósito de agua en la máquina.



(5) Mantenga presionado el botón "⏻" durante 3 segundos para encender la aspiradora y luego presione brevemente el botón "🏠" para recargarlo. La fregona aspiradora estará lista para funcionar cuando se recargue completamente.



Nota:

1. El robot volverá a la base de eliminación de suciedad después de funcionar durante más de 1 minuto y comenzará el proceso de limpieza automáticamente. Durante la recolección de polvo, una flecha parpadea en color verde en la pantalla.
2. El robot no se puede encender en caso de batería baja. En tal caso, primero recárguelo.
3. En caso de que el nivel de la batería sea bajo durante el barrido, el robot irá al muelle de carga para recargarse automáticamente y luego regresará al punto de interrupción para reanudar el barrido.

Cómo conectarse a Wi-Fi

Este producto funciona con la app Mi Home / Xiami Home *. Controle su dispositivo e interactúe con él y otros dispositivos domésticos inteligentes con la app Mi Home / Xiami Home.



Escanee el código QR para descargar e instalar la app. Se le dirigirá a la página de configuración de la conexión si la app ya está instalada. O busque "Mi Home / Xiami Home" en la tienda de app para descargarlo e instalarlo.

Abra la app Mi Home / Xiami Home, toque "+" en la esquina superior derecha y luego siga las instrucciones para agregar su dispositivo.

* La app se conoce como app Xiami Home en Europa (excepto en Rusia). El nombre de la app que se muestra en su dispositivo debe tomarse como predeterminado.

Nota:

Es posible que la versión de la app se haya actualizado; siga las instrucciones según la versión actual de la app.

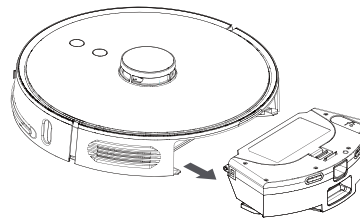
Restableciendo Wi-Fi

Cuando se reemplaza su enrutador o se cambia la contraseña de Wi-Fi, debe restablecer la configuración de Wi-Fi manteniendo presionadas las teclas "⏻" y "🏠" durante 5 segundos hasta que la luz indicadora de Wi-Fi parpadee en color azul y se emita un mensaje de voz, lo que indica que la configuración de Wi-Fi se restableció correctamente.

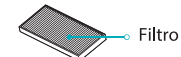
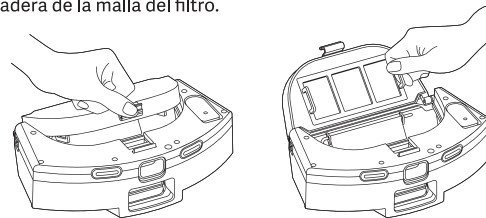
Mantenimiento diario

Compartimento para el polvo 2 en 1 con depósito de agua

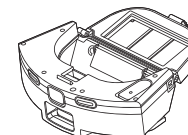
(1) Presione el botón de liberación del compartimento para el polvo y extraiga el tanque para extraerlo.



(2) Suelte la abrazadera del compartimento de polvo para quitar la abrazadera de la malla del filtro.



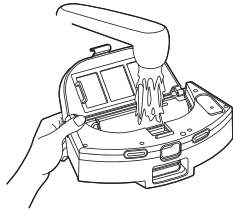
(3) Retire la rejilla del filtro.



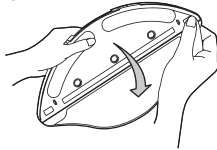
(4) Utilice el cepillo de limpieza para limpiar la suciedad en la pantalla del filtro y la tarjeta de filtro.



(5) Llene el triturador de suciedad con agua, agítelo y luego vacíelo. Repite este proceso hasta que esté limpio.



(6) Voltee el tanque de agua y la caja de polvo 2 en 1, retire el trapeador para reemplazarlo o limpiarlo.



Consejo:

Si el trapeador está demasiado sucio, afectará el efecto del trapeador, límpielo a tiempo.

Asegúrese de quitar el trapeador, limpiarlo, escurrirlo e instalarlo, está prohibido instalarlo en el tanque de agua.

Limpiar la caja, de lo contrario el agua sucia bloqueará el elemento filtrante.

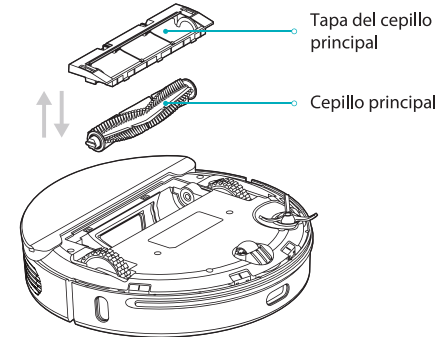
Se recomienda cambiar la fregona una vez cada 6-12 meses para garantizar el efecto de limpieza.

Limpiar el cepillo principal

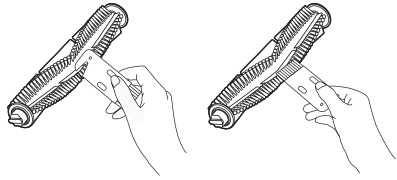
El cepillo principal es un consumible, se limpia al menos una vez a la semana, se recomienda reemplazar el cepillo principal en 6-12 meses para asegurar el efecto de limpieza.

(1) Invierta el robot de barrido y trapeado, presione la hebilla de la cubierta del cepillo principal y retire la cubierta del cepillo principal y el cepillo principal.

Nota: cuando se coloca en reversa, evite la colisión para evitar daños al lidar.



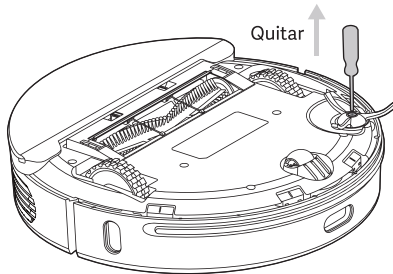
(2) Corte los pelos alrededor del cepillo con un cuchillo y limpie el cepillo principal con el otro extremo del cuchillo.



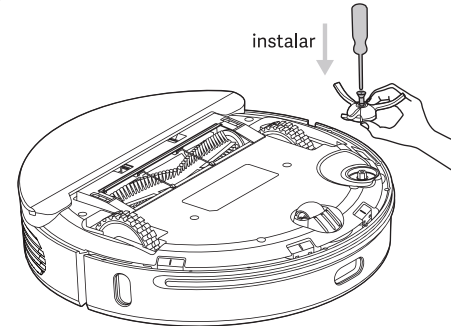
(3) Monte el cepillo principal y la cubierta del cepillo principal y bloquee la abrazadera.

Limpiar / reemplazar el cepillo lateral

(1) Retire el tornillo del cepillo lateral con un destornillador y retire el cepillo lateral.



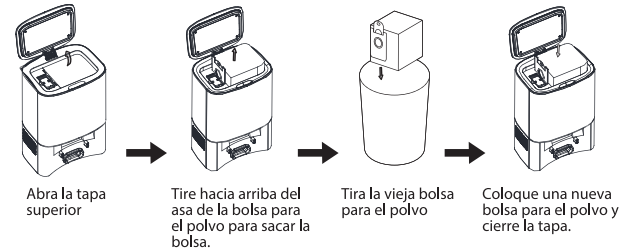
(2) Monte el cabezal lateral después de la limpieza o reemplace el cepillo lateral.



Consejo: se recomienda reemplazar el cepillo lateral en 3-6 meses para garantizar el efecto de limpieza.

Reemplazar la bolsa de polvo

En caso de que el icono de BOLSA DE POLVO COMPLETA parpadee en color naranja en la pantalla o se muestre un mensaje en la APP cuando la bolsa de polvo esté llena, reemplácela inmediatamente. Cuando la bolsa para el polvo está en funcionamiento normal, el icono sigue parpadeando en colores verde y blanco.



Limpiar el conducto de polvo

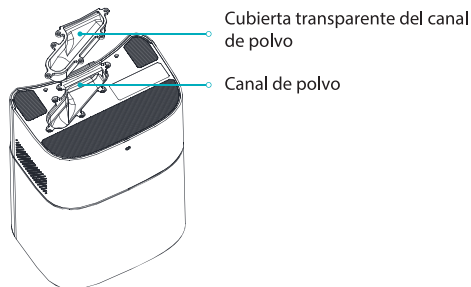
En caso de que el icono de BOLSA DE POLVO COMPLETA siga en color naranja incluso después de reemplazar la bolsa, se recomienda desconectar el enchufe de alimentación, poner la pila de carga boca abajo para verificar si el conducto de polvo está bloqueado por cualquier materia extraña.

Si el canal de polvo está bloqueado, consulte la figura siguiente y utilice un destornillador para quitar la cubierta transparente del canal de polvo.

Limpiar los objetos extraños.

Nota: Se prohíbe el desmontaje violento.

Después de limpiarlo, vuelva a instalarlo como está.



Mantenimiento de batería

La aspiradora contiene una batería de iones de litio recargable de alto rendimiento incorporada. Para mantener un rendimiento adecuado de la batería, manténgala recargada con regularidad.

Si la fregona aspiradora se deja inactiva durante un período prolongado, apáguela y recárguela una vez cada tres meses para evitar daños por descarga excesiva.

Limpiar sensor

Se recomienda limpiar cada sensor con un paño seco y suave limpio cada semana para garantizar el uso normal de la máquina.

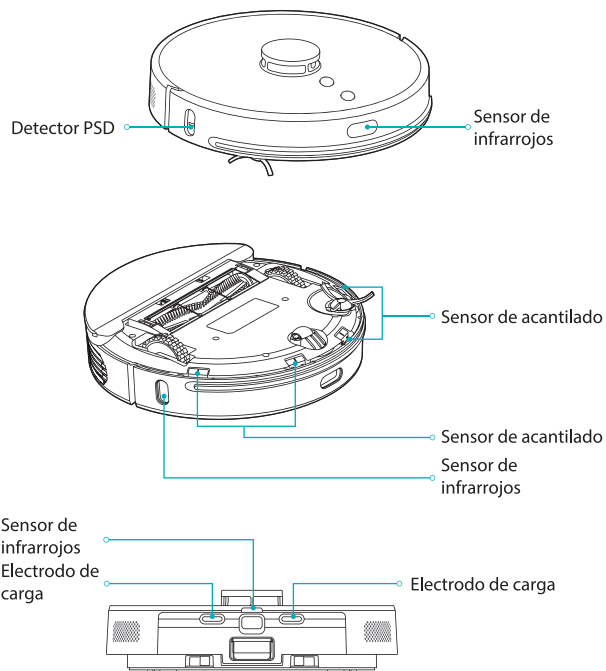
Robot aspirador:

Sensor de acantilado × 4

Sensor de infrarrojos × 3

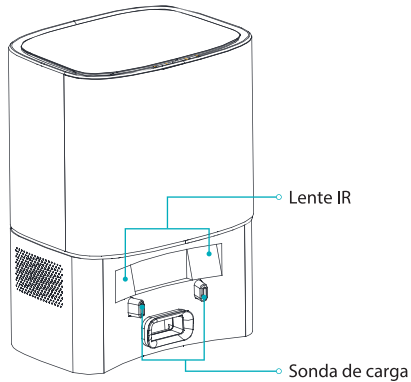
Electrodo de carga × 2

Detector PSD × 1



Parámetros básicos

Eliminación Automática de Suciedad:
 Lente IR × 2
 Sonda de carga × 2



Host

Nombre	Robot Viomi Vacío S9-Eliminación Automática de Suciedad
Señal de producto	V-RVCLMD28A / V-RVCLMD28B
Dimensiones	φ 350mm×98mm
Voltaje nominal	14,4V $\overline{\text{---}}$
Potencia nominal	50W
Capacidad de la batería	5200mAh
conexión inalámbrica	Wi-Fi IEEE 802.11b/g/n 2.4GHz

Eliminación Automática de Suciedad

Señal de producto	V-ADD26A/V-ADD26B
Potencia nominal	950W
Entrada nominal	220-240V~50/60Hz
Salida nominal	24V $\overline{\text{---}}$ 1.5A
Frecuencia nominal	50/60Hz
Dimensiones	356×250×193mm

El radar láser de este producto cumple con la norma de seguridad láser Clase 1 de IEC60825-1: 2014 y no producirá radiación láser peligrosa para el cuerpo humano.

Solución de problemas

Aviso de falla de la barredora	Solución
Anormal 1. Confirme que el lidar no esté bloqueado	Verifique o elimine cualquier materia extraña alrededor del radar láser, o reubique el Vacuum-Mop y reinicie.
Anormal 2. Limpie el sensor de desnivel y muévase a una nueva ubicación para comenzar	Limpie el sensor de desnivel del host y vuelva a intentarlo (consulte el manual para conocer la ubicación del sensor)
Anormal 3. Se detecta un campo magnético fuerte, muévase a una nueva posición y vuelva a intentarlo	Vuelva a colocar el trapeador al vacío y vuelva a intentarlo.
Anormal 4. Compruebe y retire los objetos extraños del sensor de colisión	Intente presionar la tira protectora y eliminar cualquier materia extraña, y luego reinicie la aspiradora-mopa.
Error # 5. El trapeador al vacío tiene una temperatura anormal. Deje de operar hasta que se recupere la temperatura normal.	El trapeador al vacío está a una temperatura demasiado alta o baja. Deje de operar hasta que se recupere la temperatura normal.
Anormal 6. Carga anormal, limpie el área de contacto de carga	Compruebe el adaptador o compruebe si la eliminación de suciedad está en posición horizontal. Apague el Vacuum-Mop y la eliminación de suciedad, limpie sus contactos metálicos.

Mensaje de error de eliminación de suciedad	Solución
Error #1.La bolsa de polvo no está montada. Aparece el texto "Full bag" y el icono parpadea.	Instale la bolsa de polvo en su lugar
Error #2.El soplador falla, aparece el texto y el icono parpadea.	Compruebe si el conducto de aire está bloqueado, póngase en contacto con el servicio posventa para solucionar el problema y solucionarlo.

Problema común

tipo de pregunta	Solución
No puede encender	La batería está baja, cárguela con el soporte de carga antes de usarla La temperatura ambiente es demasiado baja (por debajo de 0 ° C) o demasiado alta (por encima de 50 ° C)
No puede empezar a limpiar	La batería está baja, cárguela con el soporte de carga antes de usarla
No se puede recargar	Demasiadas barreras alrededor de la Eliminación Automática de Suciedad. Coloque la Eliminación Automática de Suciedad en un área no bloqueada. La máquina principal está demasiado lejos de la Eliminación Automática de Suciedad. Coloque la máquina principal cerca de la Eliminación Automática de Suciedad y vuelva a intentarlo.

Problema común

Problema común	Solución
Comportamiento anormal	Apagar y reiniciar
Ruido anormal durante la limpieza	El cepillo principal, el cepillo lateral o la rueda derecha / izquierda están dañados por un objeto extraño. Apague la máquina y retire el objeto extraño.
Disminución de la capacidad de limpieza o caída de polvo	La eliminación de suciedad está llena de polvo. Vacíe el colector. El componente del filtro está bloqueado. Por favor límpielo. El cepillo principal está dañado por cualquier objeto extraño. Limpie el cepillo principal.
No se puede conectar a Wi-Fi	Señales de Wi-Fi débiles. Asegúrese de que el robot tenga la cobertura adecuada de señales Wi-Fi. La conexión Wi-Fi falla. Restablezca la conexión Wi-Fi y descargue la última APP e intente nuevamente.
Continuar limpiando el punto de interrupción	Asegúrese de que el host no esté en el modo No molestar, la limpieza no continuará en este modo La recarga manual o la colocación del host en la base de carga no continuará limpiando
La aspiradora-mopa no regresa a la Eliminación Automática de Suciedad después de la limpieza o el desplazamiento de un punto fijo.	Como el trapeador con aspiradora volverá a generar un mapa después de una limpieza en un punto fijo o de ser desplazado por una gran distancia, es posible que no localice el dispositivo de Eliminación Automática de Suciedad para cargarlo. En tal caso, coloque la máquina en la Eliminación Automática de Suciedad manualmente.

Problema común	Solución
No se puede cargar	Asegúrese de que haya suficiente espacio alrededor de la Eliminación Automática de Suciedad y que no haya polvo ni obstrucciones en la superficie del electrodo de Eliminación Automática de Suciedad.
La limpieza de la cita no funciona	Asegúrese de que la máquina se haya conectado a la red, ya que la desconexión de la red fallará la sincronización y la tarea de limpieza programada.
La fregona al vacío siempre está desconectado.	Asegúrese de que el dispositivo esté configurado correctamente y siempre esté dentro de la cobertura WiFi
La fregona al vacío no se empareja con el teléfono celular.	Asegúrese de que tanto la Eliminación Automática de Suciedad como la máquina principal estén dentro de la cobertura de Wi-Fi y con buenas señales, y luego restablezca la conexión Wi-Fi para el emparejamiento siguiendo las instrucciones del manual.

Restrizioni alle Operazioni

- Questo prodotto deve essere utilizzato solo per la pulizia della superficie del terreno in abitazioni residenziali, ma non per esterni, altre superfici (ad es. divano) o ambienti commerciali o industriali.
 - Non utilizzare questo prodotto in ambienti senza la ringhiera di guardia, come casa bifamiliare, balcone aperto e parte superiore dei mobili.
 - Non utilizzare questo prodotto alla temperatura superiore a 40 °C o inferiore a 0 °C o sulla superficie del suolo con sostanze liquide o viscosi.
 - Prima di utilizzare questo prodotto, rimuovere qualsiasi filo / cavo dalla superficie del terreno.
 - Rimuovere qualsiasi articolo fragile ed articoli vari sulla superficie del terreno, come vasi o buste di plastica, per evitare che vengano urtati e danneggiati dalla macchina principale.
 - Non consentire a persone con disturbi fisici, mentali o sensuali (inclusi i bambini) di utilizzare o far funzionare questo prodotto.
 - Non consentire ai bambini di giocare con la macchina principale. Tenere i bambini o gli animali domestici lontani dalla macchina principale durante il funzionamento.
 - Non posizionare alcun oggetto o sedere sulla macchina principale che è ferma o in movimento.
 - Non utilizzare questo prodotto per pulire oggetti in fiamme (ad es. mozziconi di sigaretta accesi).
 - Non utilizzare questo prodotto per pulire i tappeti.
 - Non utilizzare questo prodotto per aspirare oggetti duri o appuntiti, come rottami, vetro e chiodi di ferro.
 - Non maneggiare questo prodotto dalla copertura protettiva del radar laser come maniglia.
- Assicurare di pulire la macchina principale e la base di ricarica solo quando il prodotto è spento o l'alimentazione è scollegata.
- Non spruzzare alcun liquido in questo prodotto, ad eccezione dello smaltimento dello sporco, che può essere pulito.
 - Non capovolgere la macchina principale e non posizionare il radar laser a terra.
 - Non utilizzare l'aspirapolvere per pulire il tappeto.
 - Utilizzare questo prodotto seguendo le istruzioni o la guida rapida. L'utente sarà responsabile per qualsiasi perdita o lesione risultante dall'uso improprio.

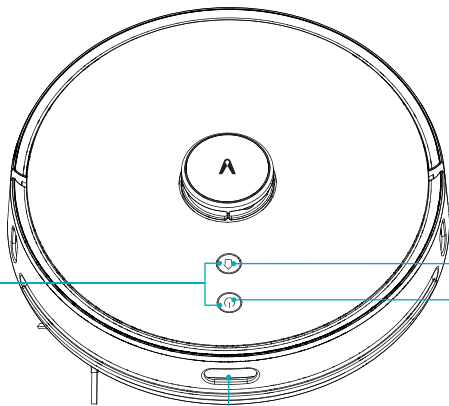
Batteria e caricamento

- Non utilizzare batterie, alimentatori e base di ricarica di terze parti.
- Non utilizzare batterie non ricaricabili.
- Non smontare, riparare, rimontare la batteria o la base di ricarica.
- Non posizionare la base di ricarica vicino a fonti di calore, ad esempio, radiatori di riscaldamento, né utilizzare panni bagnati o liquidi per pulire qualsiasi parte di questo prodotto.
- Non gettare a caso le batterie usate. Si consiglia di fare smaltire dall'agenzia specializzata.
- Per trasportare questo prodotto, assicurare di spegnere e utilizzare la scatola di imballaggio originale per proteggere.
- Se questo prodotto deve rimanere inattivo per un lungo periodo, caricare la batteria fino al livello massimo e conservare nel luogo fresco ed asciutto. Ricaricare almeno mensilmente per evitare danni alla batteria.
- Utilizzare lo strumento appropriato per rimuovere la batteria. Rimuovere prima la vite sul coperchio inferiore, quindi rimuovere il coperchio, scollegare il terminale di collegamento della batteria ed estrarre la batteria. Prima di smaltire il robot, devi togliere la batteria. Quando si rimuove la batteria, il robot deve essere spento.

Questo prodotto è conforme allo standard di sicurezza laser di Classe - 1 secondo IEC60825-1: 2014 e non genererà radiazioni laser pericolose per l'uomo.

Configurazione di Rete

- Quando il robot è acceso, premere contemporaneamente e tenere premuti i pulsanti "⏻" e "🏠" per 5 secondi fino a quando viene fornito il messaggio vocale, quindi rilasciare per attivare la configurazione di rete. Quando il robot è acceso, premere simultaneamente e tenere premuti i pulsanti "⏻" e "🏠" per 10 secondi fino a quando non viene fornito il messaggio vocale, e tenere premuti i pulsanti per 10 secondi per terminare il ripristino alle impostazioni di fabbrica.



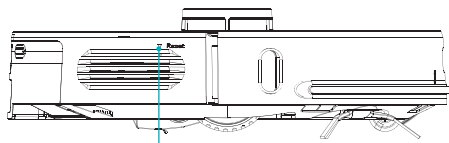
🏠 Caricamento intelligente

- Premere brevemente il pulsante per avviare il caricamento intelligente. L'indicatore LED continua a lampeggiare lentamente in giallo, indicando il livello del caricamento / batteria basso. Sfarfallio di colore giallo, indicante il caricamento.

ⓘ Accensione / spegnimento Global sweeping

- Premere brevemente il pulsante per avviare / interrompere lo spazzamento.
- Premere a lungo il pulsante per 3 secondi per accendere / spegnere.
- La luce è costantemente accesa in colore blu, indicando la connessione riuscita / funzionamento normale / stato di standby. Sfarfallio in colore blu, indicante l'accensione. Lampeggiare lentamente in blu, indicando l'aggiornamento / ripristino del firmware alle impostazioni di fabbrica. Lampeggiare velocemente in colore blu, indicando la configurazione di rete. Sfarfallio in colore rosso, indicante il livello di batteria basso. Lampeggiare velocemente in colore rosso, indicando il guasto durante il funzionamento. L'indicatore LED si spegne, indicando lo spegnimento / sospensione.

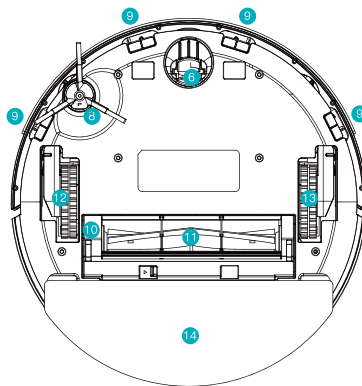
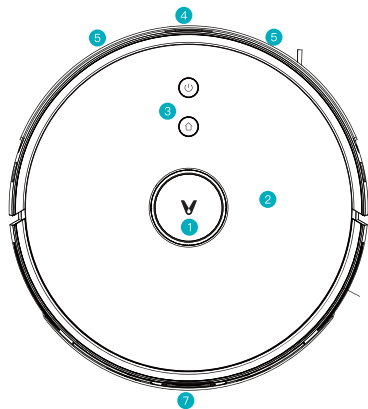
Sensore IR



Pulsante di ripristino: spegnimento forzato.

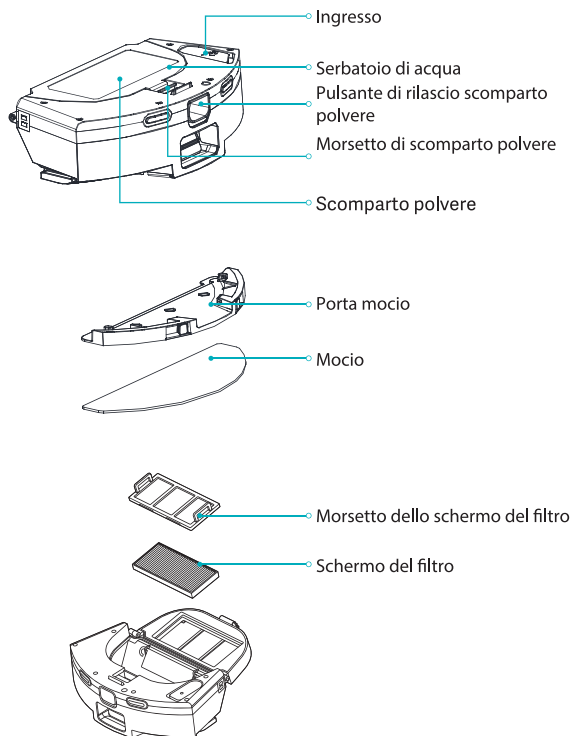
- Pressione breve (per meno di 3 secondi) per spegnere.

Macchina principale e sensore

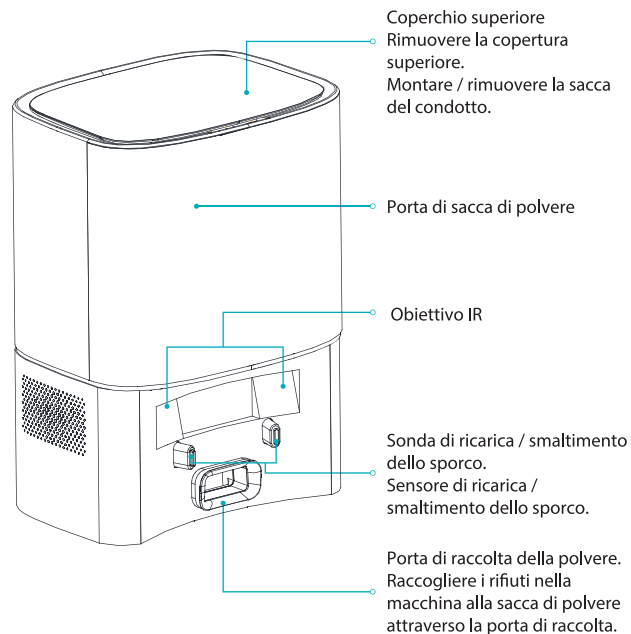


- | | |
|--------------------------|--|
| ① Radar laser | ⑧ Spazzola laterale |
| ② Copertura superficiale | ⑨ Sensore di dislivello |
| ③ Pulsante | ⑩ Copertura di spazzola principale |
| ④ Sensore IR | ⑪ Spazzola rotante |
| ⑤ Sensore di collisione | ⑫ Rotella sinistra |
| ⑥ Rotella universale | ⑬ Rotella destra |
| ⑦ Elettrodo di carica | ⑭ Integrato di smaltimento sporco / serbatoio di acqua |

Scomparto polvere 2 in 1 con serbatoio di acqua



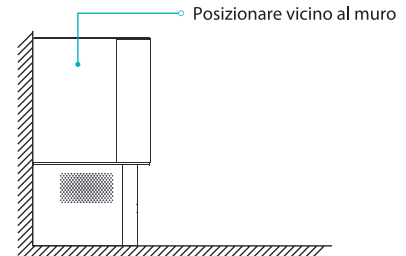
Smaltimento automatico dello sporco (due in uno per la raccolta e il caricamento della polvere)



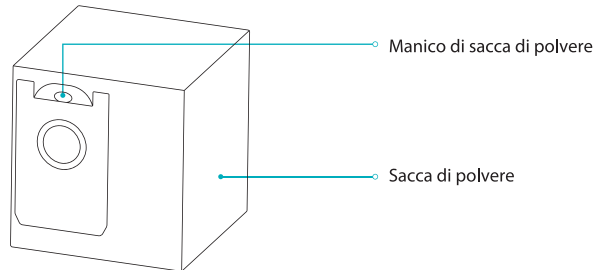
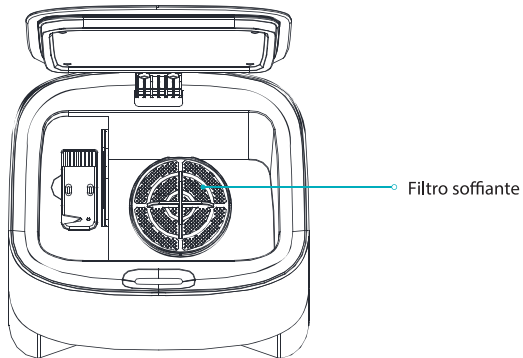
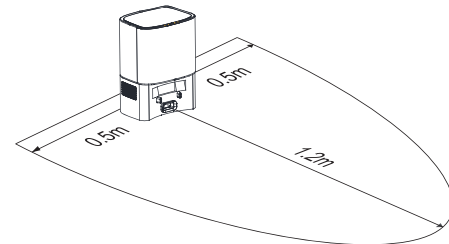
Istruzioni d'installazione

1. Installare lo smaltimento dello sporco

(1) Posizionare lo smaltimento dello sporco sul pavimento piano vicino al muro, collegare la spina alla presa approvata ed accendere l'alimentazione.



(2) Verificare che non vi siano ostacoli entro 1,2 m davanti e 0,5 m su entrambi i lati.




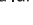
Sacca di polvere (includere uno smaltimento dello sporco).

Nota: Sacca di polvere è consumabile e non deve essere riutilizzata. Sostituire regolarmente.

Istruzioni d'Uso

1. Accendere / spegnere

Premere a lungo il pulsante di accensione "  " per 3 secondi per accendere / spegnere la macchina. L'indicatore LED di alimentazione lampeggia lentamente per 4 secondi, quindi si accende costantemente in blu e l'aspirapolvere è in standby. All'avvio viene emesso un segnale acustico di richiesta.


Quando il pulitore rimane fermo, premere a lungo il pulsante di accensione "  " per 3 secondi per spegnere.


Il LED di alimentazione si spegne e viene emesso un messaggio vocale.

Il pulitore dormirà se rimane inattivo per più di 20 minuti. Nello stato di sospensione, premendo un pulsante qualsiasi lo si riattiva.

Suggerimenti: durante la ricarica, il robot non può essere spento o dormire.

2. Spazzare

"Nello stato di accensione, premere brevemente il pulsante "  " con il messaggio vocale "avviare la pulizia globale" .

Durante la pulizia, premere brevemente il pulsante ""  "" per interrompere lo spazzamento. "


Suggerimenti: a livello di batteria basso, la funzione di spazzamento non può essere avviata.

3. Caricamento automatico / manuale

Al termine dello spazzamento, viene emesso un messaggio vocale "pulizia terminata e ricarica avviata" e l'aspirapolvere inizia a ricaricare.

In caso di batteria scaricato durante lo spazzamento, l'aspirapolvere inizierà a ricaricare automaticamente.

4. Riempire il serbatoio o pulire a metà il mocio

Premere brevemente il pulsante "  " per mettere in pausa l'aspirapolvere; rimuovere il modulo di mocio, riempire il serbatoio o pulire il mocio; rimontare il modulo di mocio e premere di nuovo brevemente il pulsante per riprendere a spazzare.

5. Configurazione di rete & aggiornamento del firmware

Scaricare l'app scansionando il codice QR sulla macchina e ripristinare il WiFi seguendo i suggerimenti sull'APP.

È possibile interrogare o aggiornare il firmware sull'app. Durante l'aggiornamento assicurare che la macchina sia caricata con il livello della batteria non inferiore al 60%. Per maggiori dettagli fare riferimento alle istruzioni nell'App. Dopo il download, configurare la rete seguendo i suggerimenti sull'APP. Dopo aver collegato la macchina alla rete, è possibile avviare lo spazzamento o la pulizia programmata da remoto sull'app.

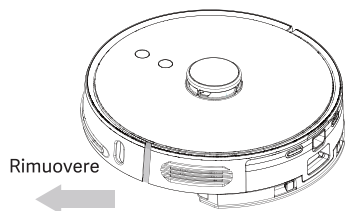
6. Guasto

In caso di guasto dell'aspirapolvere, verranno emessi allarmi acustici e visivi con l'indicatore LED di alimentazione lampeggiante in rosso. Per maggiori dettagli fare riferimento a Risoluzione dei problemi.

In caso di guasto, l'aspirapolvere dormirà automaticamente quando rimane inattivo per 10 minuti.

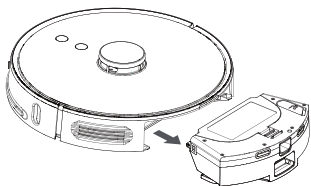
Istruzioni d'Uso

(1) Posizionare l'aspirapolvere sul pavimento piano interno. Rimuovere la protezione del limite su entrambi i lati del paraurti.



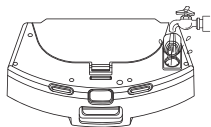
(2) Premere il pulsante di rilascio dello scomparto polvere per rimuovere lo scomparto polvere 2-in-1 con serbatoio di acqua.

Per il primo utilizzo, potrebbe essere pochissima acqua nel serbatoio, che è un campione di prova residuo e in condizioni normali, e puoi usare a tuo agio.

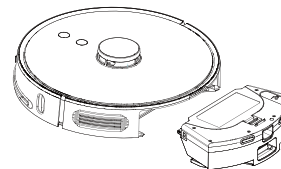


(3) Immergere il mocio con acqua e fissare alla fascia del nastro magico e stringere.

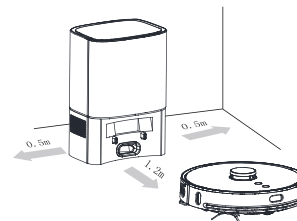
Iniettare acqua attraverso l'ingresso e stringere la copertura.



(4) Montare lo scomparto polvere 2 in 1 con serbatoio di acqua nella macchina.



(5) Premere a lungo il pulsante "⏻" per 3 secondi per accendere l'aspirapolvere, quindi premere brevemente il pulsante "⏪" per ricaricarlo. L'aspirapolvere sarà pronta per l'uso quando sarà completamente ricaricata.



Nota:

1. Il robot tornerà alla base di smaltimento dello sporco dopo aver funzionato per più di 1 minuto e inizierà automaticamente il processo di pulizia. Durante la raccolta della polvere, una freccia di colore verde lampeggia sullo schermo.
2. Il robot non può essere acceso in caso di batteria scaricata. In tal caso, prima ricaricare.
3. In caso di basso livello della batteria durante lo spazzamento, il robot andrà alla stazione di ricarica per la ricarica automaticamente, quindi tornerà al punto di interruzione per riprendere lo spazzamento.

Come connettere al Wi-Fi

Questo prodotto funziona con l'app Mi Home / Xiaomi Home *. Controllare il tuo dispositivo ed interagire con esso ed altri dispositivi domestici intelligenti con l'app Mi Home / Xiaomi Home.



Scansionare il codice QR per scaricare ed installare l'app. Verrai indirizzato alla pagina di configurazione della connessione se l'app è già installata. Oppure cercare "Mi Home / Xiaomi Home" nell'App Store per scaricare ed installare.

Aprire l'app Mi Home / Xiaomi Home, toccare "+" in alto a destra, quindi seguire le istruzioni per aggiungere il tuo dispositivo.

* L'app viene chiamata come app Xiaomi Home in Europa (ad eccezione della Russia). Il nome dell'app visualizzato sul tuo dispositivo dovrebbe essere preso come predefinito.

Nota:

La versione dell'app potrebbe essere stata aggiornata, si prega di seguire le istruzioni in base alla versione attuale dell'app.

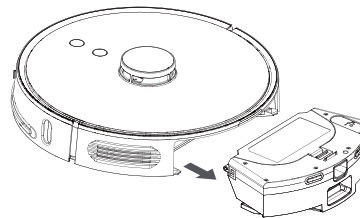
Reimpostazione del Wi-Fi

Quando il router viene sostituito o la password Wi-Fi viene modificata, è necessario ripristinare le impostazioni Wi-Fi tenendo premuti i pulsanti "⏻" e "🏠" per 5 secondi fino a quando la spia dell'indicatore Wi-Fi lampeggia in blu e viene fornito un messaggio vocale, ad indicare che le impostazioni Wi-Fi sono state ripristinate correttamente.

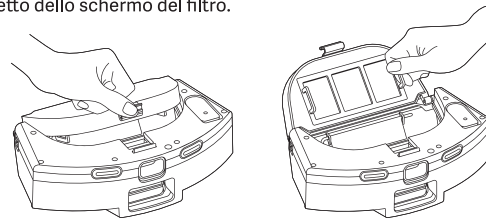
Manutenzione

Scomparto polvere 2 in 1 con serbatoio di acqua

(1) Premere il pulsante di rilascio del scomparto polvere ed estrarre il serbatoio per rimuovere.



(2) Rilasciare il morsetto dello scomparto polvere per rimuovere il morsetto dello schermo del filtro.

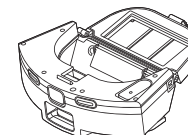


Morsetto dello schermo del filtro



Schermo del filtro

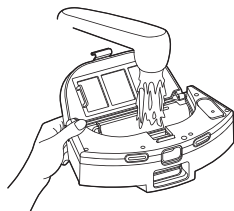
(3) Rimuovere lo schermo del filtro.



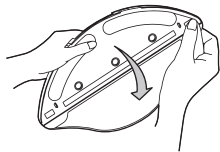
(4) Pulire lo schermo del filtro e il morsetto con la spazzola di pulizia.



(5) Riempire lo smaltimento dello sporco con acqua, scuotere e quindi svuotare. Ripetere questo processo finché non è pulito.



(6) Capovolgere il serbatoio e rimuovere il morcio per pulire o sostituire.



Suggerimenti:

Pulire regolarmente il morcio, poiché il morcio contaminato compromette le prestazioni di spazzamento.

Assicurare di rimuovere il morcio e di pulire, quindi ruotare ad asciugare. Non pulire con esso montato sul serbatoio, altrimenti l'acqua di scarico potrebbe bloccare l'elemento filtrante.

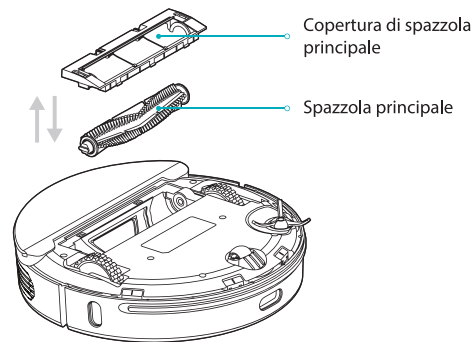
Si consiglia di sostituire la spazzola principale ogni 6-12 mesi per garantire le prestazioni di pulizia adeguate.

Pulizia di spazzola principale

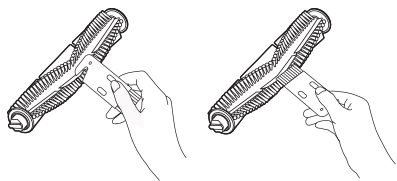
La spazzola principale è consumabile e deve essere pulita settimanalmente. Si consiglia di sostituire la spazzola principale ogni 6-12 mesi per garantire le prestazioni di pulizia adeguate.

(1) Capovolgere il collettore di polveri, rimuovere la copertura della spazzola principale e la spazzola premendo il morsetto sulla copertura.

Nota: evitare la collisione quando lo si capovolge per evitare danni al radar laser.



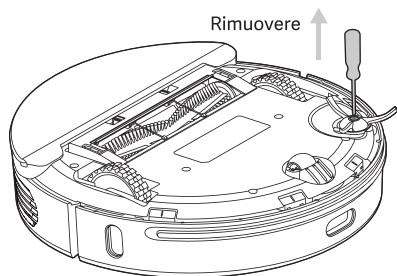
(2) Tagliare i peli intorno alla spazzola con un coltello e pulire la spazzola principale con l'altra estremità del coltello.



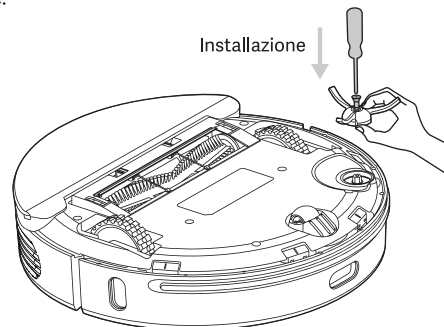
(3) Montare la spazzola principale e il coperchio della spazzola principale e bloccare il morsetto.

Pulire / sostituire la spazzola laterale

(1) Rimuovere le viti che fissano la spazzola laterale con il cacciavite e rimuovere la spazzola laterale.



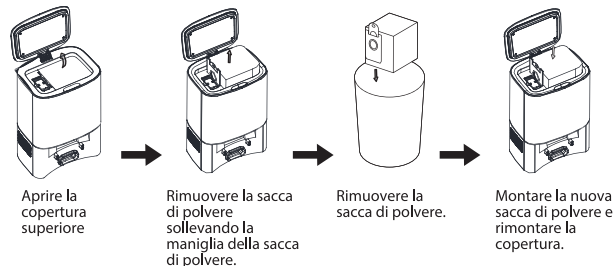
(2) Montare la spazzola laterale dopo la pulizia o sostituire la spazzola laterale.



Suggerimenti: si consiglia di sostituire la spazzola laterale ogni 3-6 mesi per garantire le prestazioni di pulizia adeguate.

Sostituire la sacca di polvere

Nel caso in cui l'icona SACCA DI POLVERE PIENA lampeggi di colore arancione sullo schermo o venga visualizzato un messaggio sull'App quando la sacca di polvere è piena, si prega di sostituire immediatamente la sacca. Quando la sacca di polvere è in funzionamento normale, l'icona continua a lampeggiare nei colori verde e bianco.



Pulire la condotta della polvere

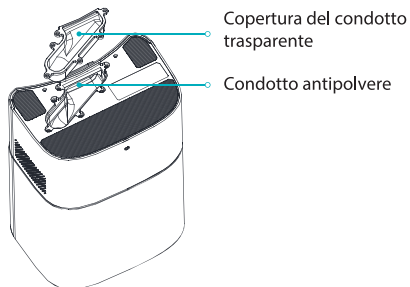
Nel caso in cui l'icona SACCA DI POLVERE PIENA sia ancora di colore arancione anche dopo la sostituzione della sacca, si consiglia di scollegare la spina di alimentazione, capovolgere la pila di ricarica per verificare se il condotto della polvere è ostruito da corpi estranei.

Se la condotta della polvere è ostruita, rimuovere la condotta del condotto con il cacciavite, come mostrato di seguito.

Rimuovere eventuali corpi estranei.

Nota: non smontare con la forza eccessiva.

Dopo aver terminato la pulizia, rimontare in posizione.



Manutenzione della batteria

L'aspirapolvere contiene una batteria agli ioni di litio ricaricabile ad alte prestazioni. Per mantenere prestazioni adeguate della batteria, mantenere ricaricata regolarmente.

Se l'aspirapolvere viene lasciato inattivo per un lungo periodo, spegnere e ricaricare una volta ogni tre mesi per evitare danni dovuti a scaricamento eccessivo.

Sensore pulito

Si consiglia di pulire settimanalmente ogni sensore con il panno pulito e morbido per garantire le prestazioni di pulizia adeguate.

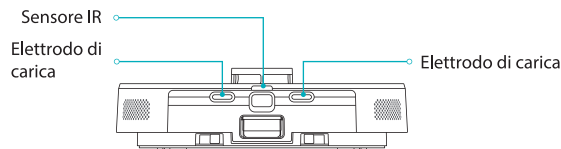
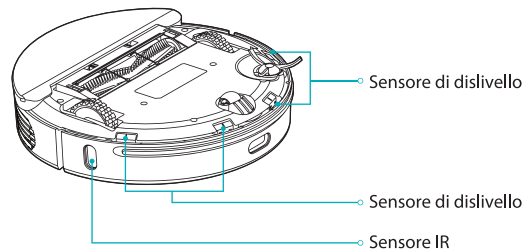
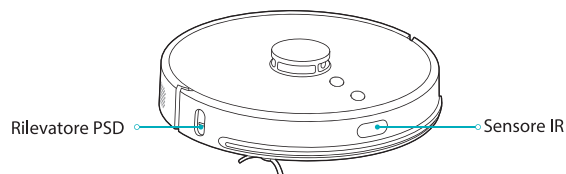
Robot aspirapolvere:

Sensore di dislivello × 4

Sensore IR × 3

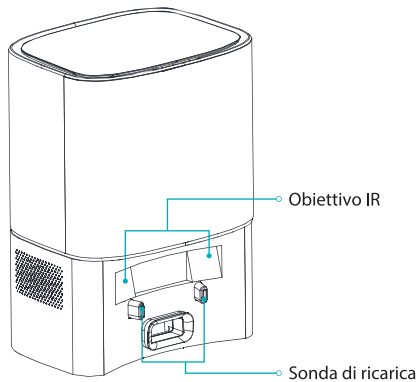
Elettrodo di carica × 2

Rilevatore PSD × 1



Specifiche

"Smaltimento dello sporco automatico:
Obiettivo IR × 2
Sonda di ricarica × 2 "



Macchina principale

Nome	Viomi Robot Vacuum S9-Smaltimento dello sporco automatico
Modello di prodotto	V-RVCLMD28A / V-RVCLMD28B
Dimensioni	φ 350mm×98mm
Tensione nominale	14.4V \approx
Potere nominale	50W
Capacità della batteria	5200mAh
Connessione senza fili	Wi-Fi IEEE 802.11b/g/n 2.4GHz

Smaltimento dello sporco automatico

Modello di prodotto	V-ADD26A/V-ADD26B
Potere nominale	950W
Ingresso nominale	220-240V~50/60Hz
Potenza nominale	24V \approx 1.5A
Frequenza nominale	50/60Hz
Dimensioni	356×250×193mm

Questo prodotto è conforme allo standard di sicurezza laser di Classe - 1 secondo IEC60825-1: 2014 e non genererà radiazioni laser pericolose per l'uomo.

Risoluzione dei Problemi

Sollecito di errore	Soluzione
Errore # 1. Assicurare che il sensore di raggio laser non sia bloccato.	Verificare o rimuovere eventuali corpi estranei intorno al radar laser o riposizionare l'aspirapolvere e riavviare.
Errore # 2. Pulire il sensore di dislivello e riposizionare il collettore di polveri.	Pulire il sensore di dislivello e riprovare (per maggiori dettagli fare riferimento al manuale utente).
Errore #3. Viene rilevato un forte campo magnetico. Riposizionare il collettore di polveri e riprovare.	Riposizionare l'aspirapolvere e riprovare.
Errore # 4. Controllare il sensore di collisione e rimuovere qualsiasi oggetto estraneo su di esso.	Provare a premere la striscia del paraurti e rimuovere eventuali corpi estranei, quindi riavviare l'aspirapolvere.
Errore # 5. L'aspirapolvere ha una temperatura anormale. Interrompere il funzionamento fino al ripristino della temperatura normale.	L'aspirapolvere è alla temperatura troppo alta o bassa. Interrompere il funzionamento fino al ripristino della temperatura normale.
Errore # 6. La ricarica non riesce. Si prega di pulire il contatto di ricarica.	Controllare l'adattatore o controllare se lo smaltimento dello sporco è in posizione orizzontale. Spegnerne l'aspirapolvere e lo smaltimento dello sporco, pulire i loro contatti metallici.

Il messaggio di errore di smaltimento dello sporco	Soluzione
Errore # 1 la sacca di polvere non è montata. Viene visualizzato il testo "Sacca piena" e l'icona lampeggia.	Montare la sacca di polvere in posizione.
Errore # 2. Il ventilatore non funziona, il testo viene visualizzato e l'icona lampeggia.	Verificare se il condotto dell'aria è ostruito e contattare il servizio post-vendita per la risoluzione dei problemi.

FAQ

Problema	Soluzione
Collettore di polveri non si avvia.	Livello di batteria basso. Tenere la macchina vicino alla base di ricarica e riprovare. Temperatura ambiente troppo bassa (inferiore a 0 °C) o alta (superiore a 50 °C)
La funzione di spazzamento fallisce.	Livello di batteria basso. Tenere la macchina vicino alla base di ricarica e riprovare.
La funzione di ricarica non funziona.	Troppe barriere attorno allo smaltimento dello sporco automatico. Posizionare lo smaltimento dello sporco automatico nell'area non bloccata. La macchina principale è troppo lontana dallo smaltimento dello sporco automatico. Posizionare la macchina principale vicino allo smaltimento dello sporco automatico e riprovare.

FAQ

Problema	Soluzione
La macchina non funziona correttamente.	Spegnere e poi riaccendere.
L'operazione di pulizia è rumorosa.	La spazzola principale, la spazzola laterale o la rotella sinistra / destra sono danneggiate da corpi estranei. Spegnerla la macchina e rimuovere l'oggetto estraneo.
Le prestazioni di pulizia si deteriorano o la polvere cade.	Lo smaltimento dello sporco è pieno di polvere. Si prega di svuotare il raccoglitore. Il componente del filtro è bloccato. Si prega di pulire. La spazzola principale è danneggiata da qualsiasi oggetto estraneo. Si prega di pulire la spazzola principale.
La connessione Wi-Fi non è disponibile.	Segnali Wi-Fi deboli. Assicuratevi che il robot abbia una copertura adeguata dei segnali Wi-Fi. La connessione Wi-Fi non riesce. Ripristinare la connessione Wi-Fi e scaricare l'ultima app e riprovare.
Riprendere il punto di interruzione.	Assicurare che la modalità non disturbo non sia attivata, che disabiliterà la procedura al punto di interruzione. La procedura al punto di interruzione non è disponibile quando la macchina è in caricamento.
L'aspirapolvere non torna allo smaltimento dello sporco automatico dopo la pulizia o lo spostamento a punto fisso.	Poiché l'aspirapolvere rigenera una mappa dopo la pulizia nel punto fisso o dopo essere stato spostato dalla lunga distanza, potrebbe non riuscire ad individuare lo smaltimento dello sporco automatico per la ricarica. In tal caso, posizionare manualmente la macchina sullo smaltimento dello sporco automatico.

Problema	Soluzione
Il caricamento non riesce.	Assicurare che ci siano spazi sufficienti intorno allo smaltimento dello sporco automatico e che non vi siano polvere o ostruzioni sulla superficie dell'elettrodo dello smaltimento dello sporco automatico.
La pulizia programmata non riesce.	Assicurare che la macchina sia stata collegata alla rete, poiché la disconnessione dalla rete non riuscirà a sincronizzare e all'attività di pulizia pianificata.
L'aspirapolvere è sempre offline.	Assicurare che la macchina sia connessa alla rete correttamente e sempre entro la copertura del Wi-Fi.
L'aspirapolvere non riesce ad essere accoppiato con il cellulare.	Assicuratevi che sia lo smaltimento dello sporco automatico che la macchina principale siano entro la copertura del Wi-Fi e di buoni segnali, quindi ripristinare la connessione Wi-Fi per l'accoppiamento seguendo le istruzioni nel manuale.

Manufactured by: Foshan VIOMI Electrical Technology Co., Ltd. (a Mi Ecosystem company)

Address: 2nd Floor, No.1 Building And 4th Floor Of No. 7 Building, North of Four Xinxi Street, Xiashi Village, Lunjiao Town, Shunde District, Foshan City, Guangdong Province, China

Fabriqué par: Foshan VIOMI Electrical Technology Co., Ltd.(une entreprise Mi Ecosystem)

Adresse: 2ème étage, No.1 bâtiment et 4ème étage du No.7 bâtiment, Nord de rue Four Xinxi, village de Xiashi, bourg de Lunjiao, district de Shunde, ville de Foshan, province du Guangdong, Chine

Hergestellt von: Foshan VIOMI Electrical Technology Co., Ltd.(ein Unternehmen von Mi Ecosystem)

Adresse: 2. Etage, Gebäude Nr. 1 und 4. Etage des Gebäudes Nr. 7, nördlich der Xinxi-Straße 4, Xiashi-Dorf, Gemeinde Lunjiao, Stadt Lunjiao, Bezirk Shunde, Stadt Foshan, Provinz Guangdong,

Изготовлено: Foshan VIOMI Electrical Technology Co., Ltd. (компания Mi Ecosystem)

Адрес: 2-й этаж, здание № 1 и 4-й этаж здания № 7, к северу от улицы 4 Синьси, деревни Сяши, городка Лунцзяо, района Шунде, города Фошань, провинция Гуандун, Китай.

Fabricat de: Foshan VIOMI Electrical Technology Co., Ltd. (o companie Mi Ecosystem)

Adresa: Etaj 2 Clădirea nr. 1 și Etaj 4 Clădirea nr. 7, la nord de Strada Four Xinxi, Satul Xiashi, Centrul Lunjiao, District Shunde, Oraș Foshan, Provincia Guangdong, Republica Populară Chineză

Wyprodukowany:Foshan VIOMI Electrical Technology Co., Ltd. (do firmy My Ecosystem)

Adres: 2 piętro,Budynek nr 1 i 4 piętro Budyńku nr 7,

Na północ od Four Ulica Xinxi,Wioska Xiashi,Miasto Lunjiao,Dystrykt Shunde,Miasto Foshan ,Prowincja Guangdong, Chiny

Fabricado por: Foshan VIOMI Tecnología Eléctrica S.L.(a Mi Empresa del Ecosistema)

Dirección: 2do piso, edificio No. 1 y 4to piso del edificio No. 7, al norte de Calle 4 Xinxi , Xiashi Pueblo, Lunjiao Pueblo, Shunde Distrito, Foshan Ciudad, Guangdong Provincia, China

Prodotto da: Foshan VIOMI Electrical Technology Co., Ltd. (a Mi Ecosystem company)

Indirizzo: 2nd Floor, No. 1 Building And 4th Floor Of No. 7 Building, North of Four Xinxi Street, Xiashi Village, Lunjiao Town, Shunde District, Foshan City, Guangdong Province, China



VIOMI

www.viomi.com

RoHS

CE

